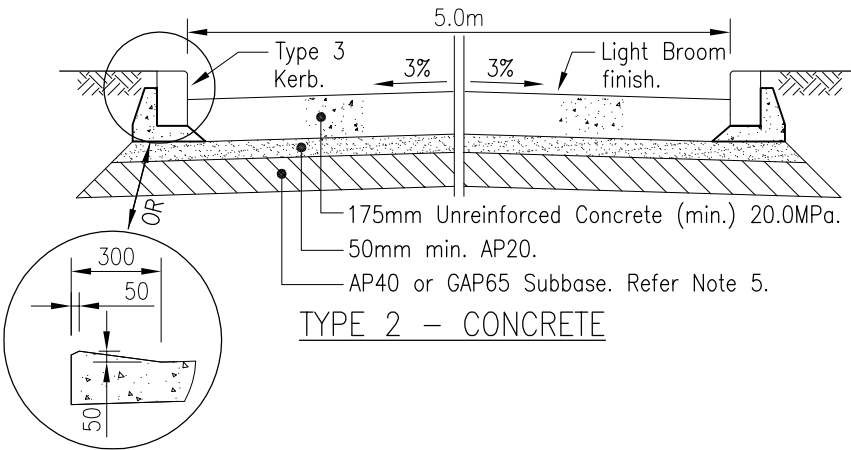
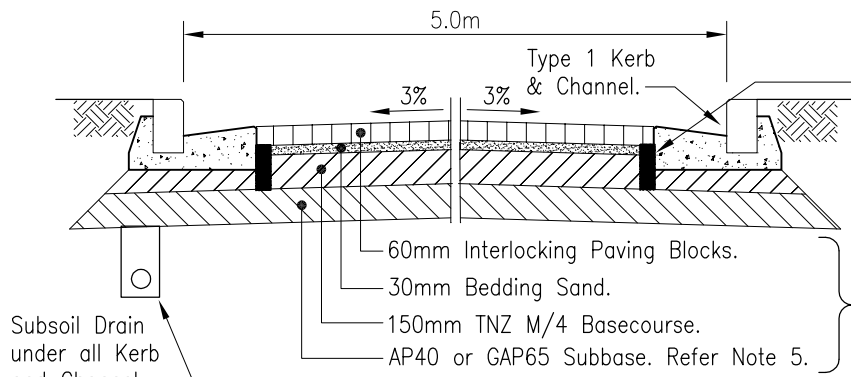


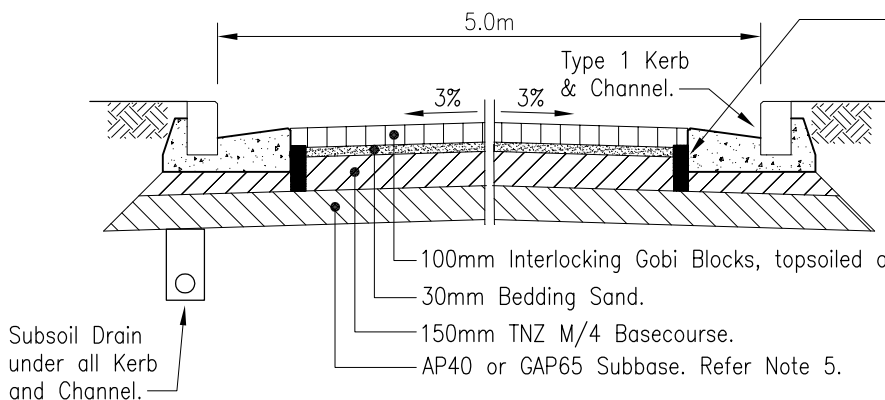
TYPE 1 – ASPHALTIC CONCRETE



TYPE 2 – CONCRETE



TYPE 3 – PAVING BLOCK



TYPE 4 – GOBI BLOCK OR SIMILAR APPROVED

NOTES

- Under Channel Drains as required.
- For Type two, Contraction Joints are to be saw cut at 5m max. centres. Saw cuts are to be 1/4 depth of Concrete by 6mm wide.
- These Construction Details are for Driveways serving more than 6 sites, with 1 residential unit per site, and also in accordance with Part 12.8.2.1 Access to Sites, and Part 11.5.3.1 Residential Zones, of the District Plan, Isthmus Section. The definition of 'residential unit' and 'site' are as defined in Part 13 Definitions and Interpretations of the District Plan, Isthmus Section.
- All Privateways are to be drained to a Catchpit and connected to a Drainage System to the satisfaction of the Engineer.

Subgrade CBR	Subbase required	
	Type 1,3 & 4	Type 2
≥ 7	0	0
5	100	75
≤ 3	150	100

- Industrial/Commercial Accessways are to be by specific design.

Megaflow Drain with connection to Subsoil every 20 metres. Apply Grade 5 membrane seal on top of AP40 Basecourse. The Seal is to be kept 100mm from the Megaflow Drain.

Laid in accordance with NZS3116.

Megaflow Drain with connection to Subsoil every 20 metres.

Apply Grade 5 membrane seal on top of AP40 Basecourse. The Seal is to be kept 100mm from the Megaflow Drain.

Laid in accordance with NZS3116.

PREPARED BY:



AUCKLAND CITY
Transport

PRIVATE WAY :
MORE THAN SIX RESIDENTIAL UNITS
(RESIDENTIAL ZONES ONLY)

SCALE : NTS.

DRAWN : M.S.

ISSUE DATE : 1/2009

APPROVED :

PLAN No. ISSUE B

2008/0303