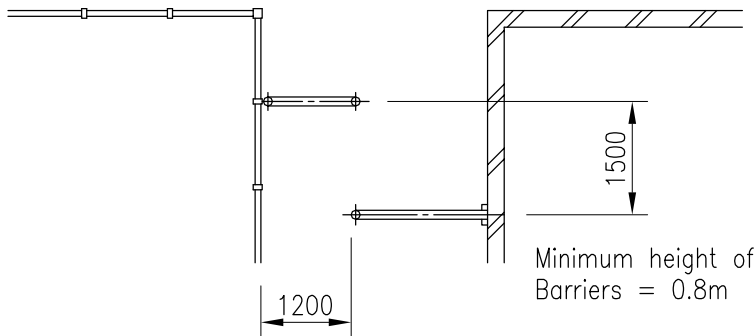


PLAN

TYPE A – BOLLARDS
(PREFERRED)



PLAN

TYPE B – CHICANE

NOTES

1. Hand Rails to be made from 50mmØ medium wall thickness Galvanised Tube then powder coated with 'Western Chemicals 0021 Hot Chilli'.
2. Type B – Chicane not to be used where mobility scooters require access.

PREPARED BY OPUS:



AUCKLAND CITY
Transport

ACCESS BARRIERS

SCALE : 1:100

DRAWN : W.D.

ISSUE DATE : 11/2008

APPROVED :

PLAN No. ISSUE B

2008/0414