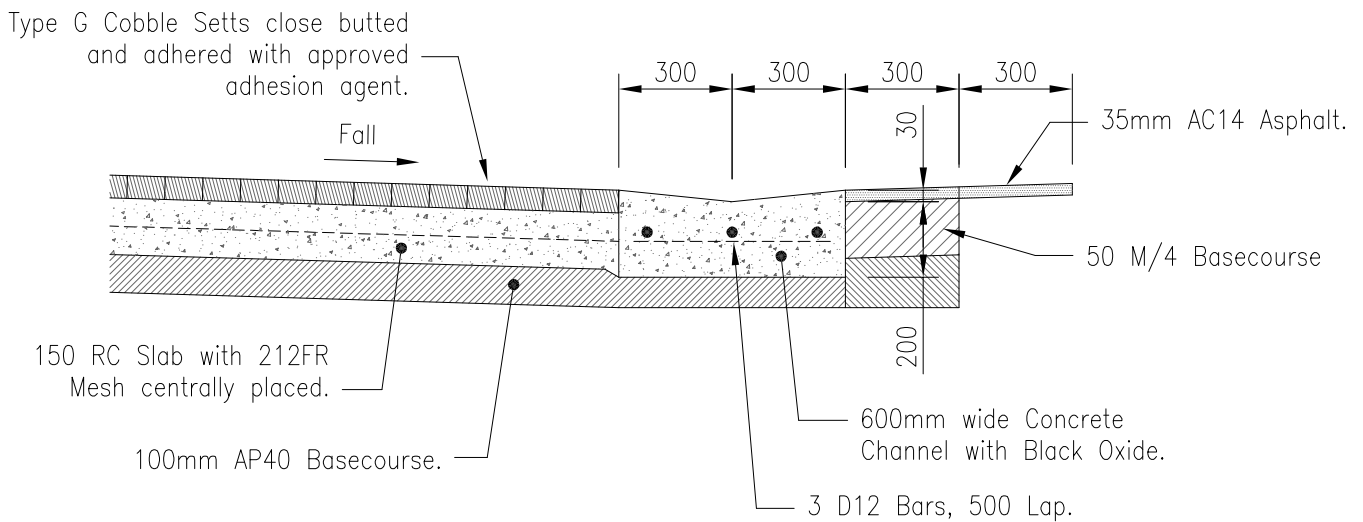


**BARNES DANCE PRAM CROSSING**

SCALE 1:20



**CARRIAGEWAY CHANNEL OF STOPPING BAY**

SCALE 1:20

PREPARED BY:



**AUCKLAND CITY**  
Transport

**QUEEN STREET**  
**KERB AND CHANNEL DETAILS**  
**SHEET TWO OF TWO**

SCALE : 1:10 ; 1:20

DRAWN : MKG

ISSUE DATE : 11/2008

APPROVED :

PLAN No. ISSUE A

2008/1110