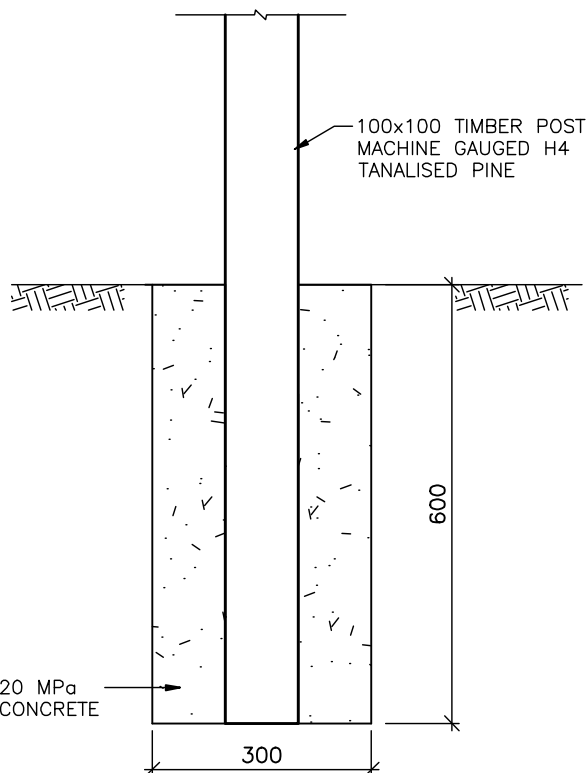


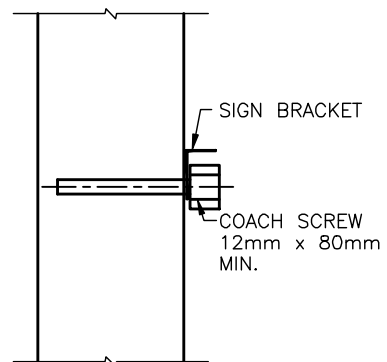
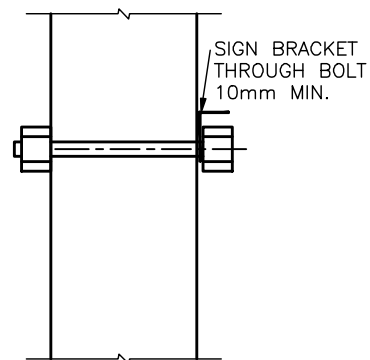
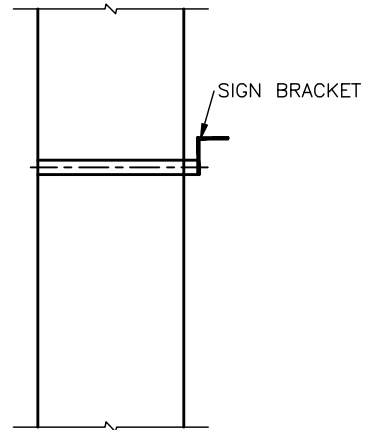
STEEL BAND

SCALE 1 : 20



TIMBER POST IN GROUND

SCALE 1 : 10



SIGN FASTENING

SCALE 1 : 5