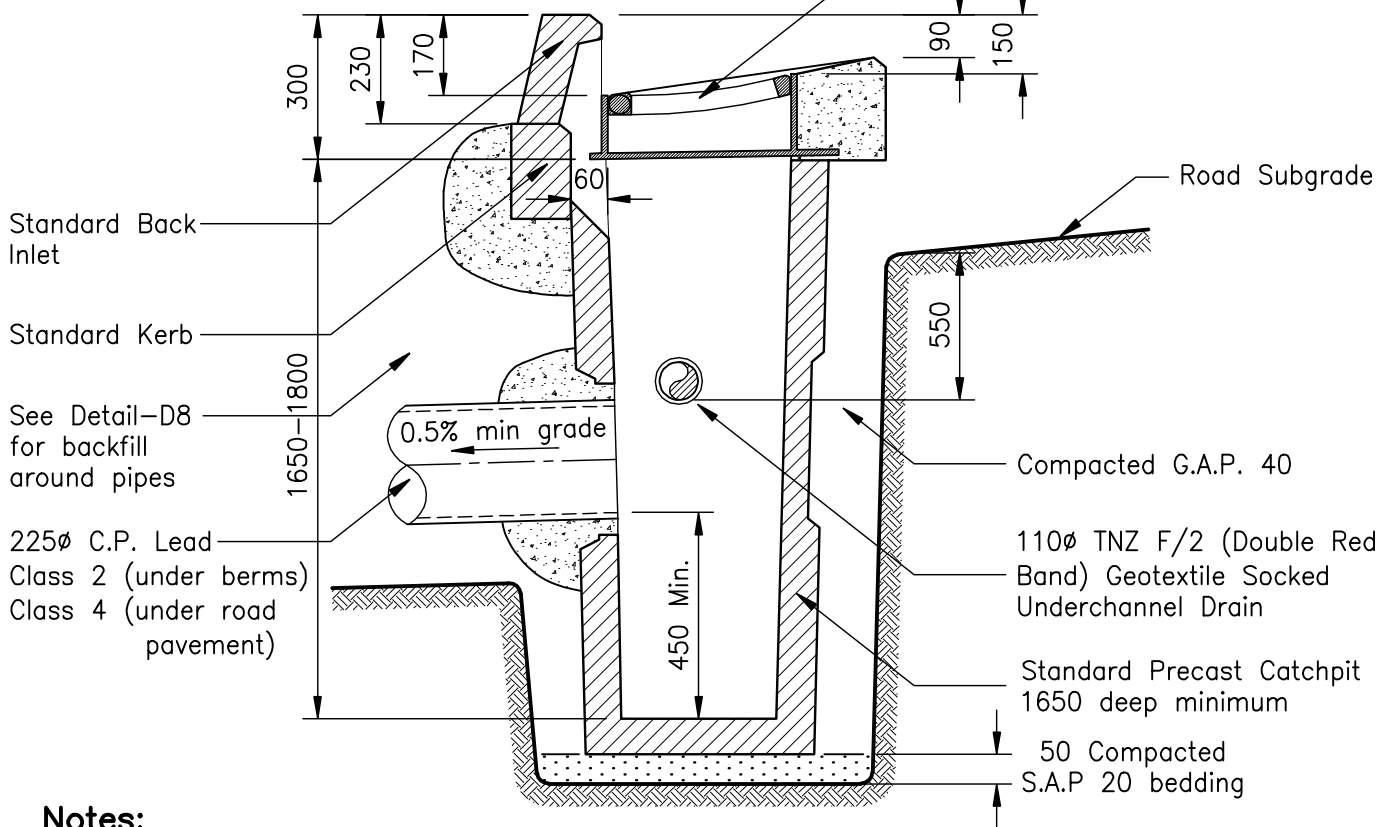
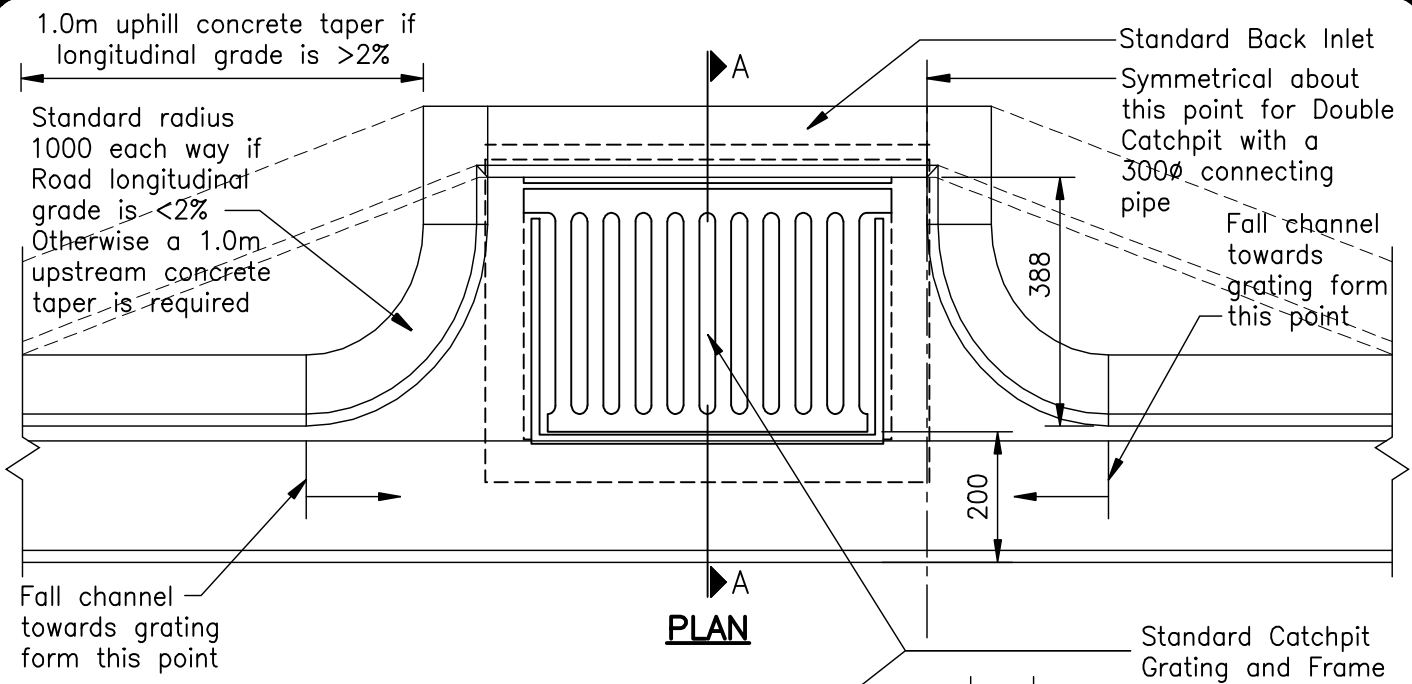


# SECTION 3



**Notes:**

1. All dimensions are in Millimetres unless noted otherwise.
2. All Concrete to be ordinary grade 17.5 MPa at 28 days.
3. All pipes to be finished flush with inside wall of Catchpit.
4. Captive Grates are required, refer to Manarc Manual.



DETAIL:

**RECESS CATCHPIT**

**Environmental Management**

DETAIL No: **D4**

**MANUKAU CITY COUNCIL**

UPDATED: **SEP 2009**