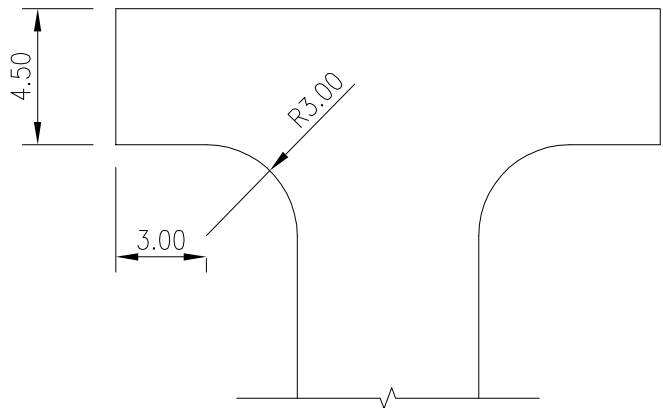
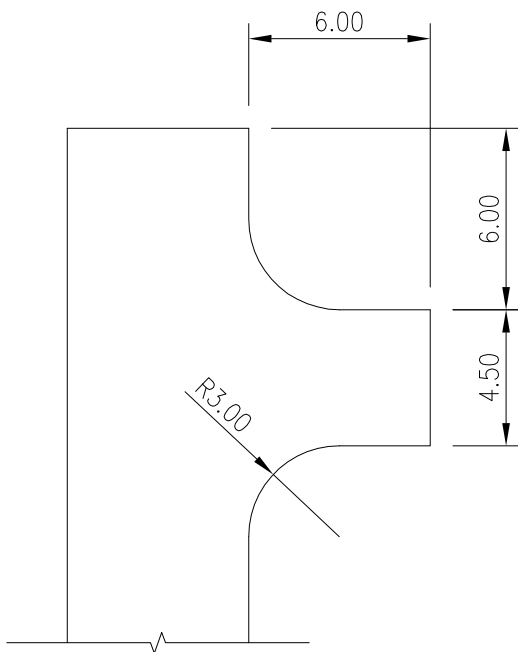


Y TURNING



T TURNING



L TURNING

Only for use where the standard circular head is unsuitable.

PREPARED BY:



AUCKLAND CITY
Transport

TURNING AREAS FOR
CUL-DE-SACS

SCALE : 1:250

DRAWN : LJC

ISSUE DATE : 11/2008

APPROVED :

PLAN No. ISSUE A

2008/0112