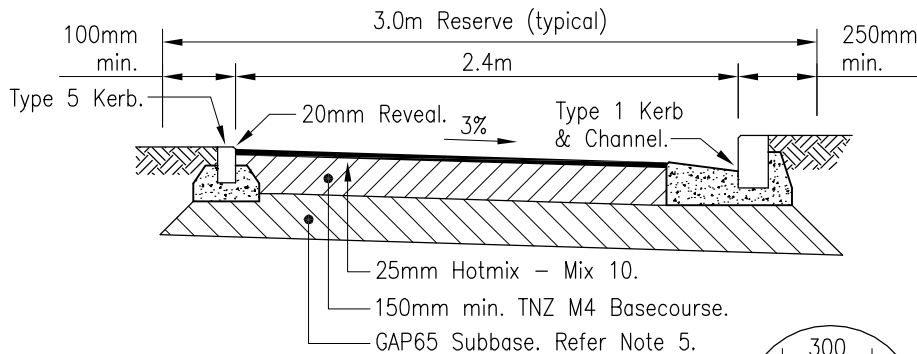


**NOTES**

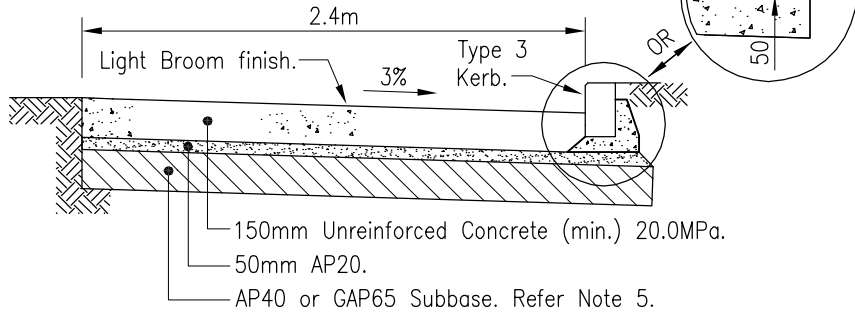
- Under channel drains as required.
- For type two, contraction joints are to be saw cut at 4m centres. Saw cuts are to be 30mm deep by 6mm wide.
- These construction details are for driveways serving no more than 6 sites, with 1 residential unit per site, and also in accordance with Part 12.8.2.1 Access to Sites, and Part 11.5.3.1 Residential Zones, of the District Plan, Isthmus Section. The definition of 'residential unit' and 'site' are as defined in Part 13 Definitions and Interpretations of the District Plan, Isthmus Section.
- All privateways are to be drained to a catchpit and connected to a drainage system to the satisfaction of the Engineer.

Subgrade CBR	Subbase required	
	Type 1,3 & 4	Type 2
≥ 7	0	0
5	100	75
≤ 3	150	100

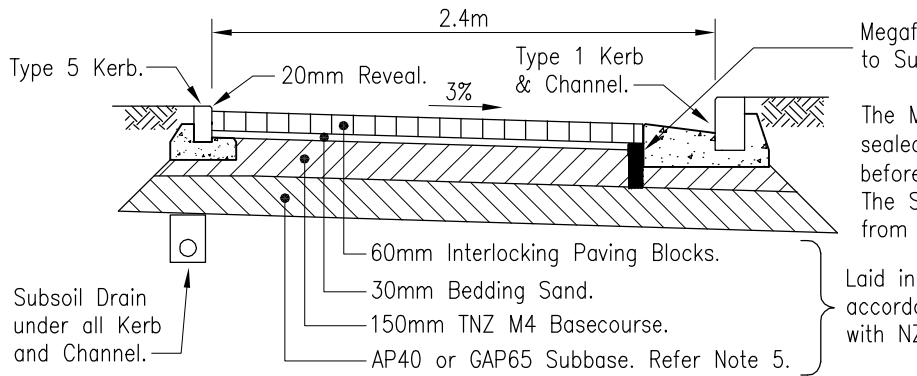
- Industrial/Commercial accessways are to be by specific design.



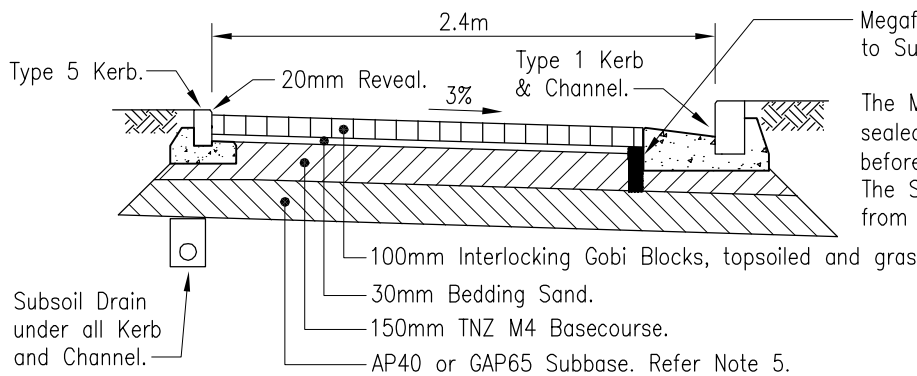
**TYPE 1 – ASPHALTIC CONCRETE**



**TYPE 2 – CONCRETE**



**TYPE 3 – PAVING BLOCK**



**TYPE 4 – GOBI BLOCK OR SIMILAR APPROVED**

Megaflow Drain with connection to Subsoil every 20 metres.

The M4 Surface is to be sealed with 1 l/m<sup>2</sup> of Bitumen before it is overlaid with Sand. The Seal is to be kept 100mm from the Megaflow Drain.

Laid in accordance with NZS3116.

Megaflow Drain with connection to Subsoil every 20 metres.

The M4 Surface is to be sealed with 1 l/m<sup>2</sup> of Bitumen before it is overlaid with Sand. The Seal is to be kept 100mm from the Megaflow Drain.

Laid in accordance with NZS3116.

PREPARED BY OPUS:



**AUCKLAND CITY**  
Transport

PRIVATE WAY: SIX  
RESIDENTIAL UNITS OR LESS  
(RESIDENTIAL ZONES ONLY)

SCALE : NTS

DRAWN : JZW

ISSUE DATE : 1/2009

APPROVED :

PLAN No. ISSUE B

2008/0301