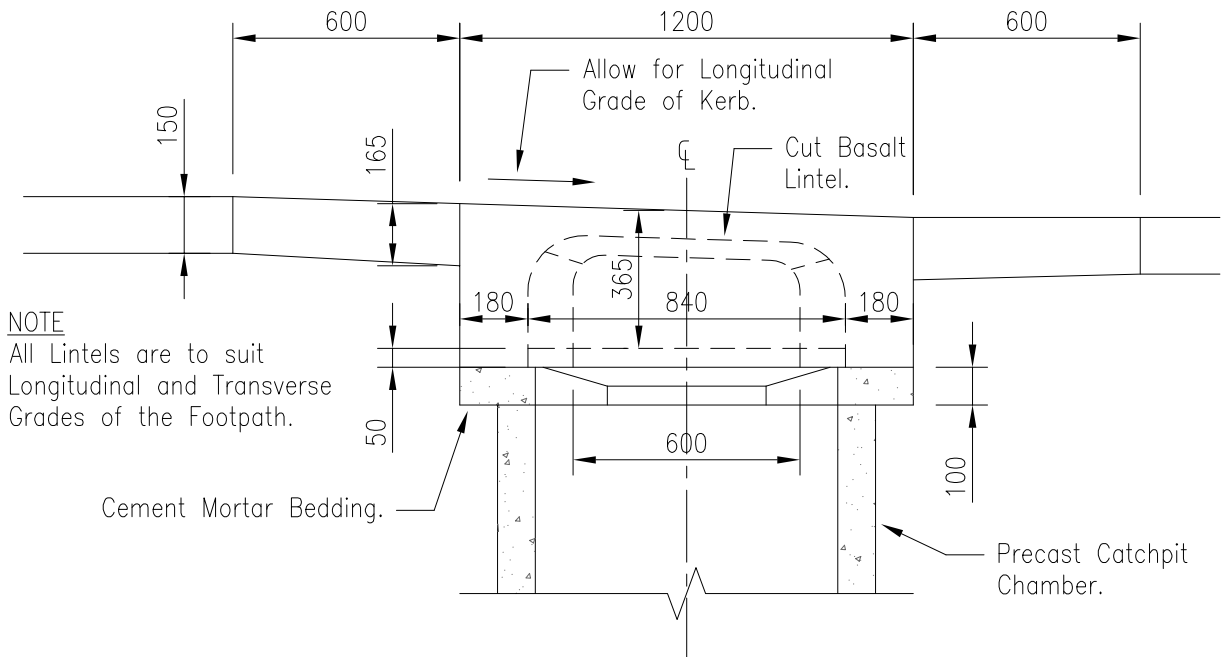


TYPICAL CATCHPIT PLAN

SCALE 1:20



SECTION A - STONE LINTEL

SCALE 1:20

PREPARED BY:



AUCKLAND CITY
Transport

**QUEEN STREET
CATCHPIT DETAILS
SHEET ONE OF TWO**

SCALE : 1:20

DRAWN : MKG

ISSUE DATE : 11/2008

APPROVED :

PLAN No. ISSUE A

2008/1106