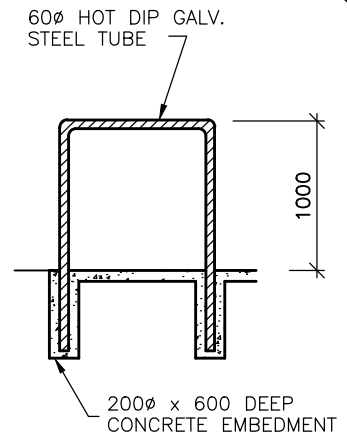


PLAN  
SCALE 1 : 100

125mm x 125mm  
STANDARD PARK  
BOLLARD & CHAIN FENCE  
(WITH PADLOCK)

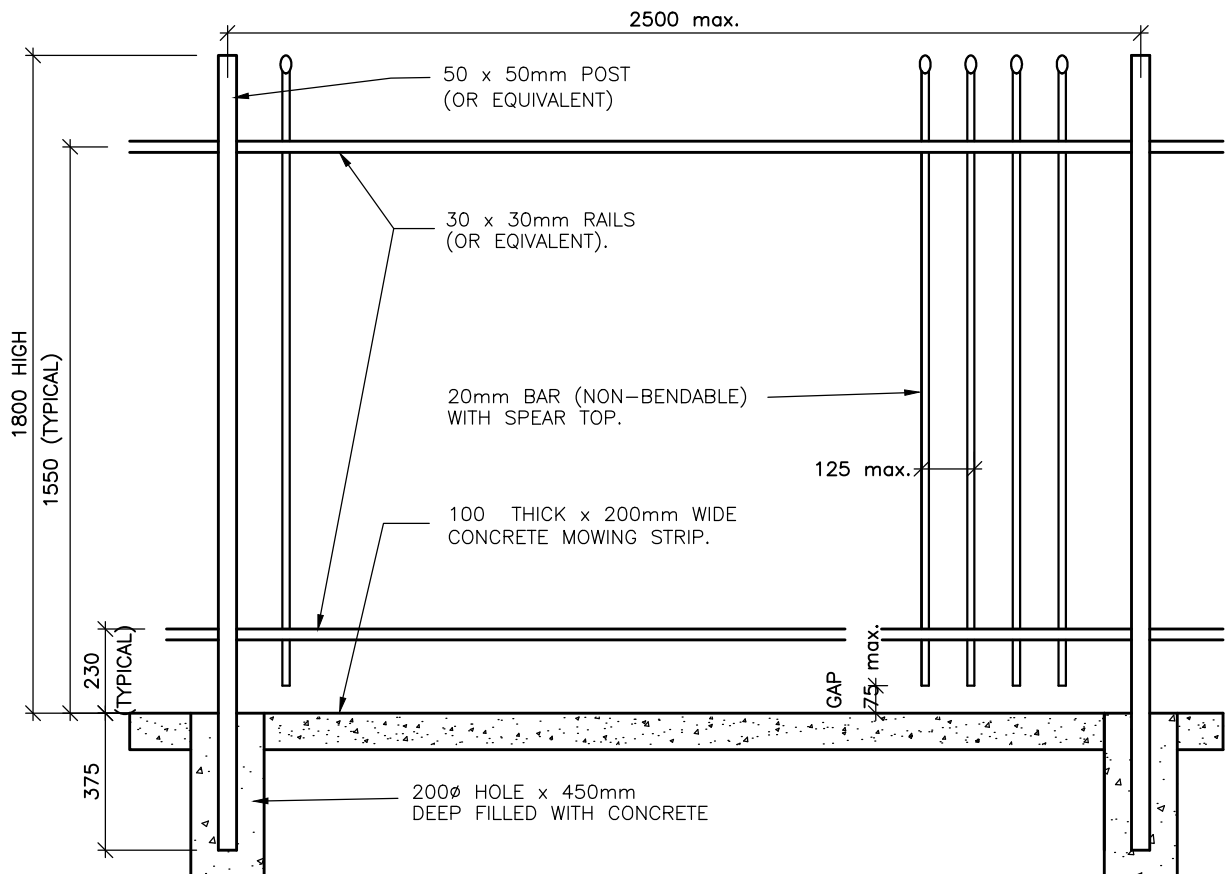
SEE SD 3.18.01  
FOR DIMENSIONS



DETAIL  
SCALE 1 : 50

**BARRIER**

SEE SD3.18.01 FOR DIMENSIONS



**SECURITY FENCING**

SCALE 1 : 20

**NOTE:**

Fences to be hot dip galvanised steel

ENGINEERING  
STANDARDS MANUAL

ISSUE  
SEPTEMBER 2010

**PEDESTRIAN & CYCLIST  
ACCESSWAY FENCING  
& BARRIER DETAILS**

STANDARD DETAIL

**SD 3.18**