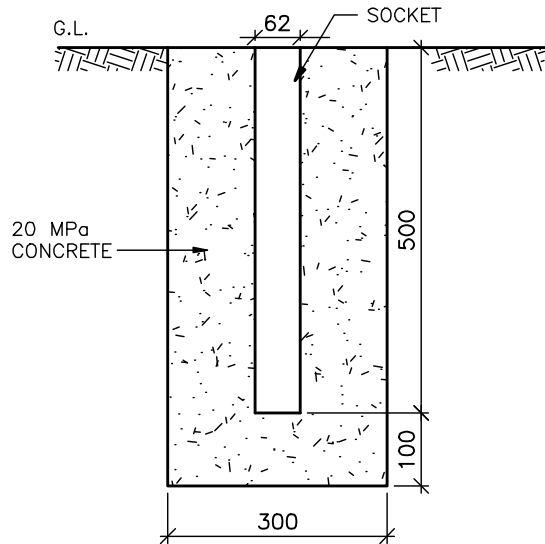


SOCKET DETAILS

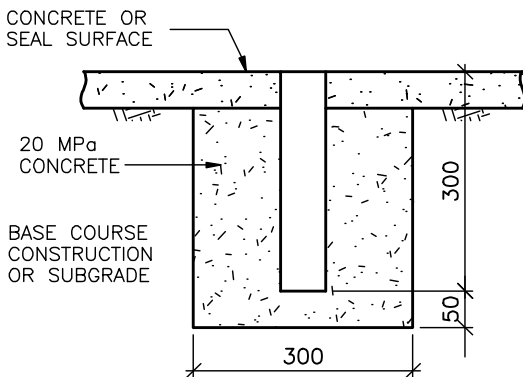
SCALE 1 : 2.5

MATERIAL = ALUMINIUM EXTRUSION  
or GALV. STEEL



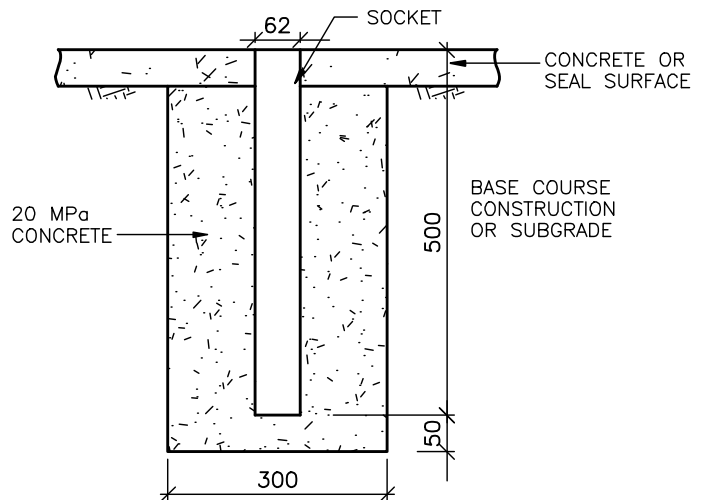
SOCKET IN GROUND

SCALE 1 : 10



SOCKET FOR PLASTIC POST IN ISLAND

SCALE 1 : 10



SOCKET FOR STEEL POST IN ISLAND OR CONC/SEAL SURFACE

SCALE 1 : 10