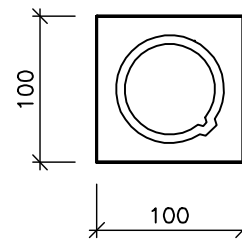
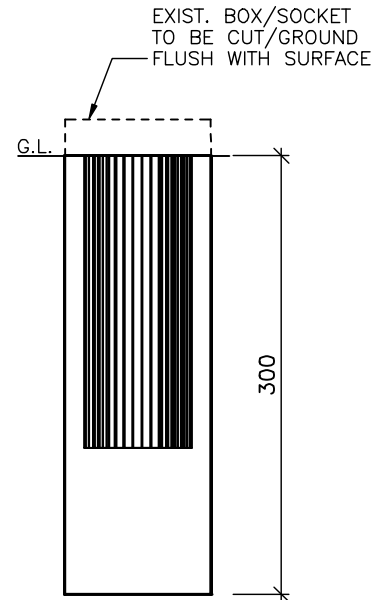


**BOX SOCKET**  
SCALE 1 : 5



**PLAN**  
SCALE 1 : 5



**SIDE ELEVATION**  
SCALE 1 : 5

NOTES

1. 100x100 Socket shown  
100x75 Socket similar.