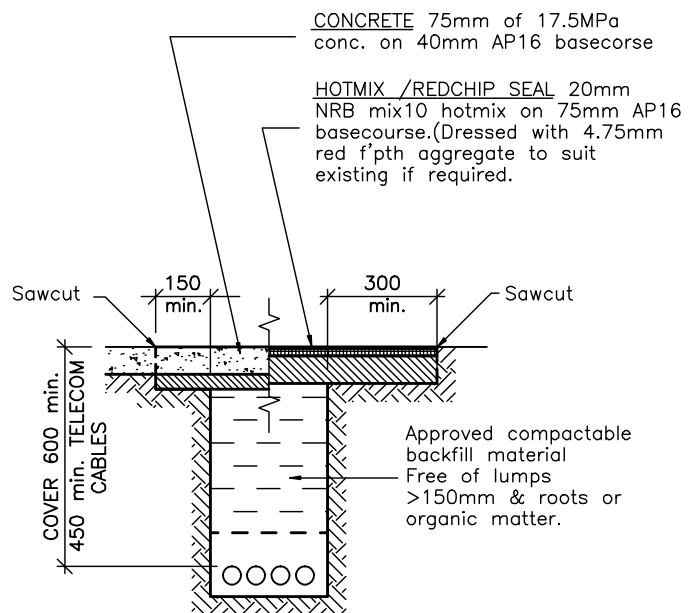


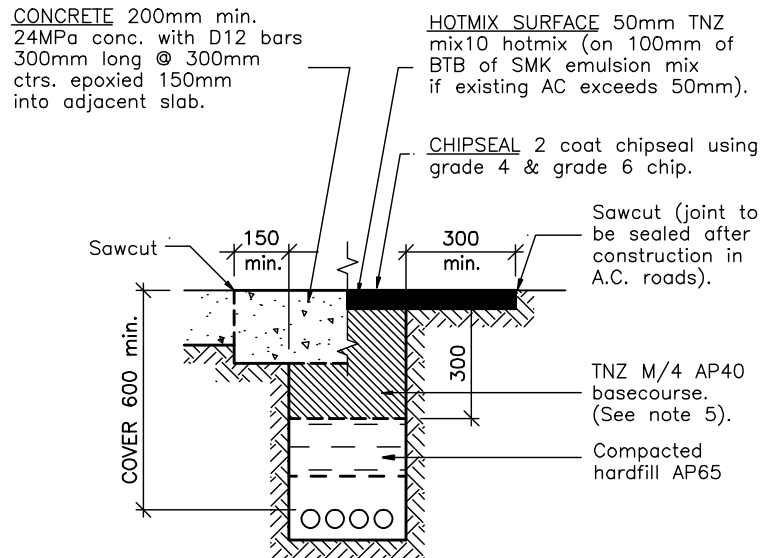
**GRASSED AREA
REINSTATEMENT**

SCALE 1 ; 20



**FOOTPATH
REINSTATEMENT**

SCALE 1 ; 20



**CARRIAGEWAY & VEHICLE
CROSSING REINSTATEMENT**

SCALE 1 ; 20

NOTES:

- All backfill is to be compacted in 150mm layers to obtain maximum density.
- If the edge of the trench is within 1.0m of a construction joint, a crack or the edge of existing pavement, this zone is to be replaced as part of the trench reinstatement.
In areas of concrete pavement, the reinstatement shall be extended to the nearest construction joint, where the trench centreline & the construction joint is less than 2.0m.
- Road surface joints are to be sealed with approved sealant after construction.
- Where conc. or other stabilised layers exist in the roadway, the trench shall be reinstated with similar material or as otherwise directed.
- A 2 coat chipseal is to be used over hotmix in existing chipseal roads.