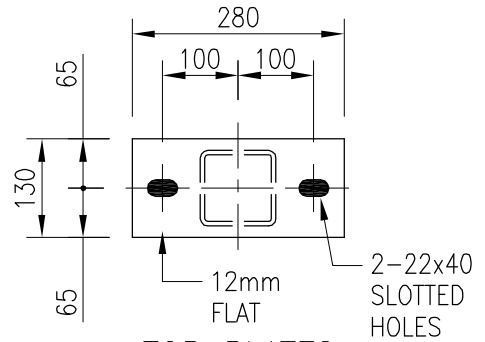
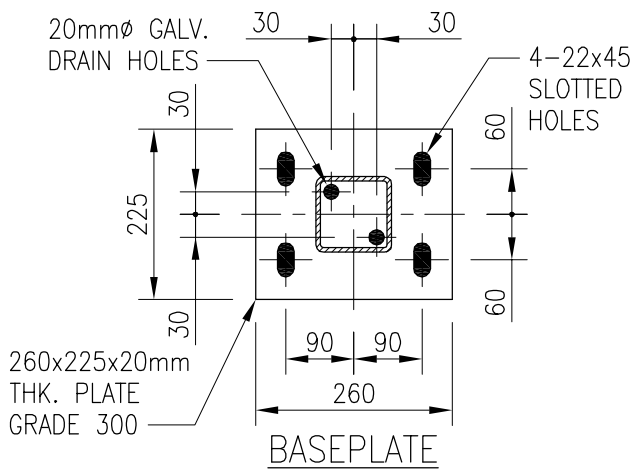


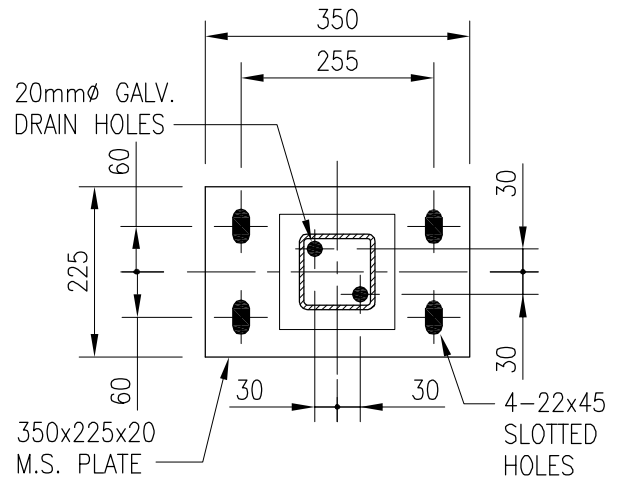
PANEL Mk 1 DETAILS



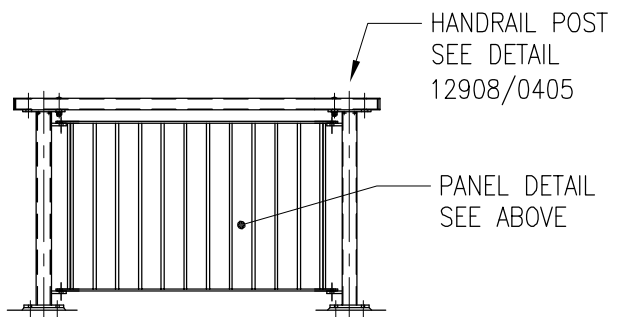
TOP PLATES



BASEPLATE



END POST BASEPLATE



ASSEMBLED FENCE

NOTES

1. ALL STEEL COMPONENTS TO BE HOT DIP GALVANISED AFTER FABRICATION IN ACCORDANCE WITH AS/NZS4680.

PREPARED BY OPUS:



AUCKLAND CITY
Transport

FENCE TYPE G
PART THREE OF THREE

SCALE :	NTS.
DRAWN :	R.A.A.
ISSUE DATE :	11/2008
APPROVED :	
PLAN No.	ISSUE B
2008/0407	