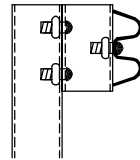
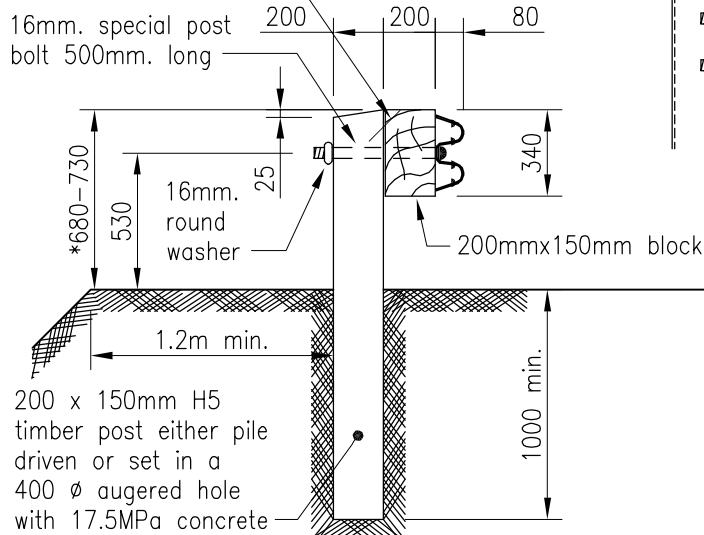


Galvanised 16d nail to prevent block rotation.

16mm. special post bolt 500mm. long



Steel post alternative

**NOTES:**

1. Traffic railing except where otherwise specified, shall be erected with the front of the post at nominal edge of the shoulder or not more than 600mm. behind face of kerb.
2. Rails and hardware to be galvanised.
3. All new work to comply with TNZ specification M/17P & M/23.
4. The replacement strategy for any barrier section or terminal shall be decided on a site by site basis.
5. The Contractor shall identify the most appropriate treatment and seek the approval of the Engineer prior to commencing any repair works.
6. Specific design is required for a new guard rail for the approval of The Engineer.

PREPARED BY OPUS:



**AUCKLAND CITY**  
Transport

**GUARD RAIL REPAIRS**

SCALE : NTS.

DRAWN : R.A.A.

ISSUE DATE : 11/2008

APPROVED :

PLAN No. ISSUE B

2008/0417