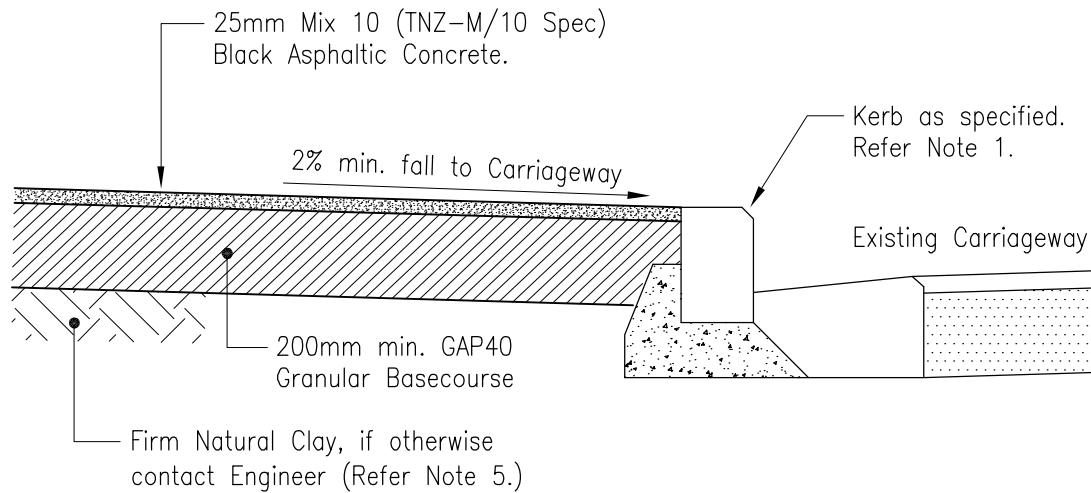


### FOOTPATH



### HEAVY DUTY FOOTPATH

### NOTES

1. Refer to ACC Standard Detail Drawings for the following details:  
 Pram crossings – 2008/0608;  
 Kerbs and Channels – 2008/0201.
2. All Services Lids to be raised/lowered to be flush with Footpath levels.
3. If the Footpaths are to be used by a significant number of wheelchairs then a crossfall of no more than 3% is preferred. Otherwise the maximum crossfall shall be 4%.
4. Refer to Drawing No. 2008/0608 for Footpath Material selection and Construction Notes.
5. Basecourse or Bedding Layer depth to be increased for weak subgrade (CBR<3).

PREPARED BY OPUS:



**AUCKLAND CITY**  
Transport

ASPHALT FOOTPATH

SCALE : NTS

DRAWN : JZW

ISSUE DATE : 11/2008

APPROVED :

PLAN No. ISSUE B

2008/0602