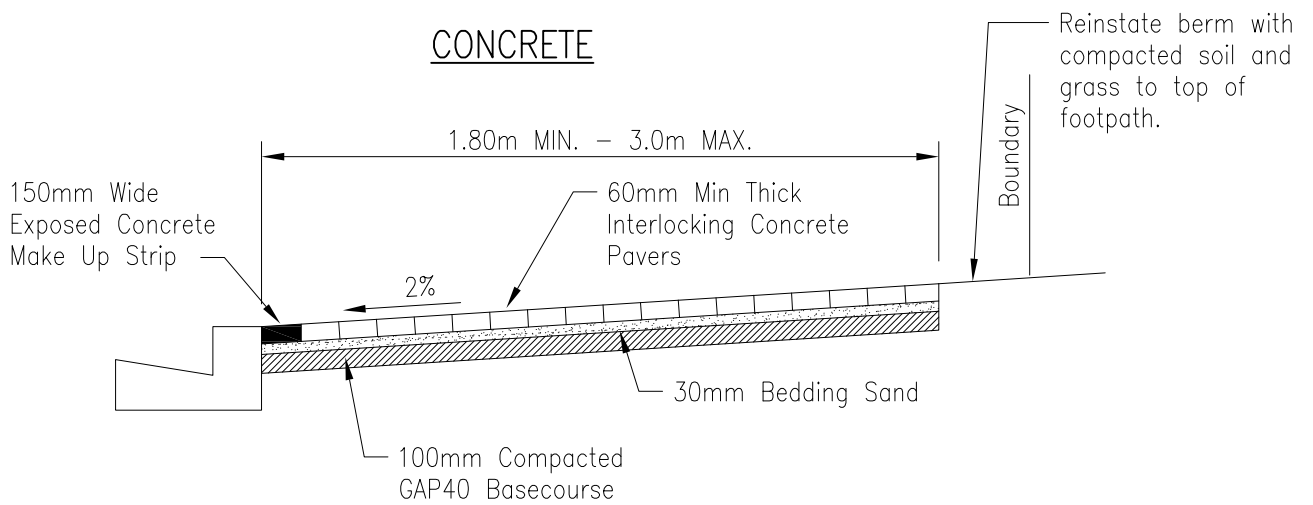


### CONCRETE



### INTERLOCKING PAVERS

#### NOTE:

1. Refer Dwg 2008/0614 for Vehicle Crossing Details
2. Where approved by The Engineer, footpath width may be reduced to 1.4m where required due to site constraints.

PREPARED BY:



**AUCKLAND CITY**  
Transport

HAURAKI GULF ISLANDS  
FOOTPATH CONSTRUCTION  
TYPICAL SECTIONS

SCALE : NTS

DRAWN : JZW

ISSUE DATE : 11/2008

APPROVED :

PLAN No. ISSUE A

2008/0604