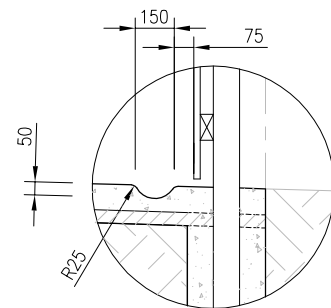


TYPICAL ELEVATION



CHANNEL DETAIL 1:40

NOTES

1. Refer standard drawing 2008/0611 for cycle barrier.
2. Dish channel to discharge to catchpit
3. Minimum longitudinal grade of accessway to be 0.5%. Maximum grade to be 12.5%.
4. Saw cuts to be formed at a spacing of 4.00m along length of accessway.

PREPARED BY:



AUCKLAND CITY
Transport

**PEDESTRIAN
ACCESSWAY – TYPE A**

SCALE : NTS

DRAWN : APC

ISSUE DATE : 11/2008

APPROVED :

PLAN No. ISSUE A

2008/0610