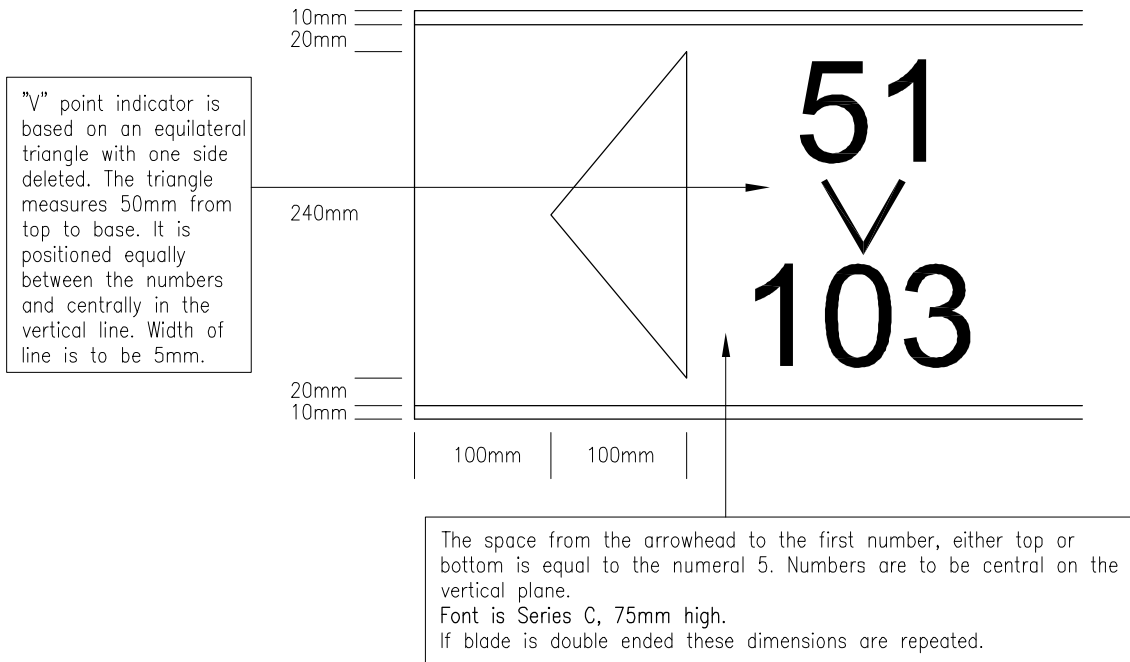


BLADE END SHOWING STREET NUMBERS



DETAIL SHOWING POSITION OF STREET NAME



Font is Series C all capitals. Letter height is 180mm.
Position is to be 150mm from the last number regardless of whether this number is top or bottom. Position centrally on the horizontal plane.
If blade is double ended this dimension will be from the last letter of the 'St' or 'Rd' classifier or East/West addition.

PREPARED BY OPUS:



AUCKLAND CITY
Transport

AUCKLAND CITY
STREET NAME
BLADE DESIGN

SCALE :	NTS
DRAWN :	GMW
ISSUE DATE :	11/2008
APPROVED :	
PLAN No.	ISSUE B
2008/1005	