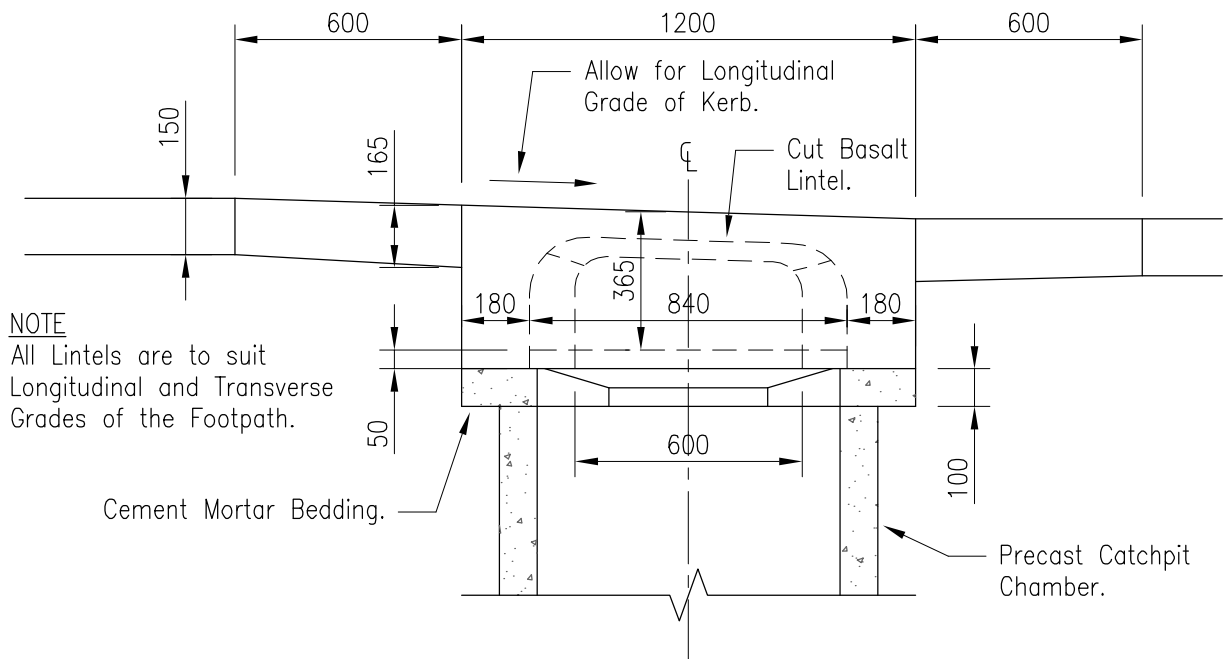


TYPICAL CATCHPIT PLAN
SCALE 1:20



SECTION A - STONE LINTEL
SCALE 1:20

PREPARED BY OPUS:



AUCKLAND CITY
Transport

QUEEN STREET
CATCHPIT DETAILS
SHEET ONE OF TWO

SCALE : 1:20

DRAWN : MKG

ISSUE DATE : 11/2008

APPROVED :

PLAN No. ISSUE B

2008/1106