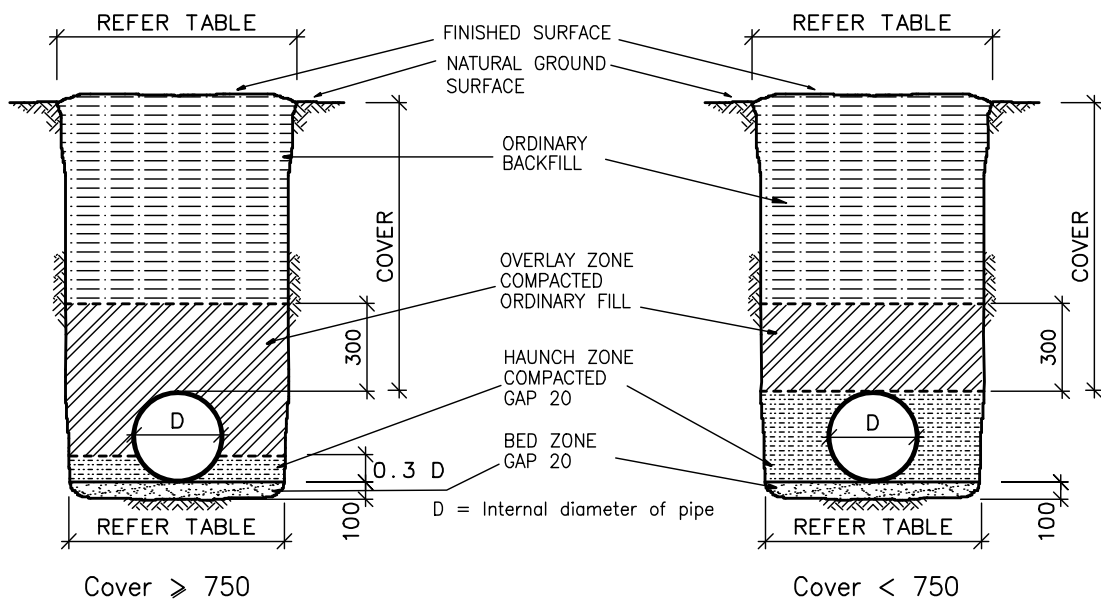


PERMISSABLE TRENCH WIDTHS															
NOMINAL INTERNAL PIPE DIAMETER (mm)	150	225	300	375	450	525	600	675	750	825	900	975	1050	1200	> 1200
MINIMUM TRENCH WIDTH (mm)	500	600	675	750	825	925	1000	1100	1175	1250	1350	1450	1525	1675	OD+500
MAXIMUM TRENCH WIDTH (mm)	600	600	700	800	900	1000	1100	1200	1300	1400	1500	1500	1600	1800	OD+700



**H2 TYPE BEDDING – CONCRETE PIPES**  
N.T.S.

Notes

- Where trench is benched or battered the bedding design may be altered.
- This to be used with Class 2 (Class X) pipes up with no more than 2000 cover.  
Class 3 (Class Y) pipes between 2001 and 3000 cover.  
Class 4 (Class Z) pipes between 3001 and 4000 cover.
- Pipes with greater cover and or subject to traffic loading shall be subject to specific design, using H2 bedding.
- The refilling shall be carried out in two stages and these are to be identified as Overlay Zone, and Backfill or Embankment fill.  
The Overlay Zone shall extend from the top of the foundation or bed up to 300mm above the top of the pipe and around the pipe measured radially from any point and shall be fill material from the excavation or elsewhere. It shall not contain any stones larger than 45mm.

The material is to be compacted as necessary to prevent excessive settlement in the ground surface level over the installed pipeline.

Backfill or Embankment fill is to be the remainder of the refilling and shall consist of any available material up to finished levels as shown on the drawing.

[Note to Specifier – The above clauses do not cover multiple lines, or Construction Loads, if these are relevant to AS3725 clauses 3.6 and 6.5.5 and Clause C6.5.5 in the commentary.]