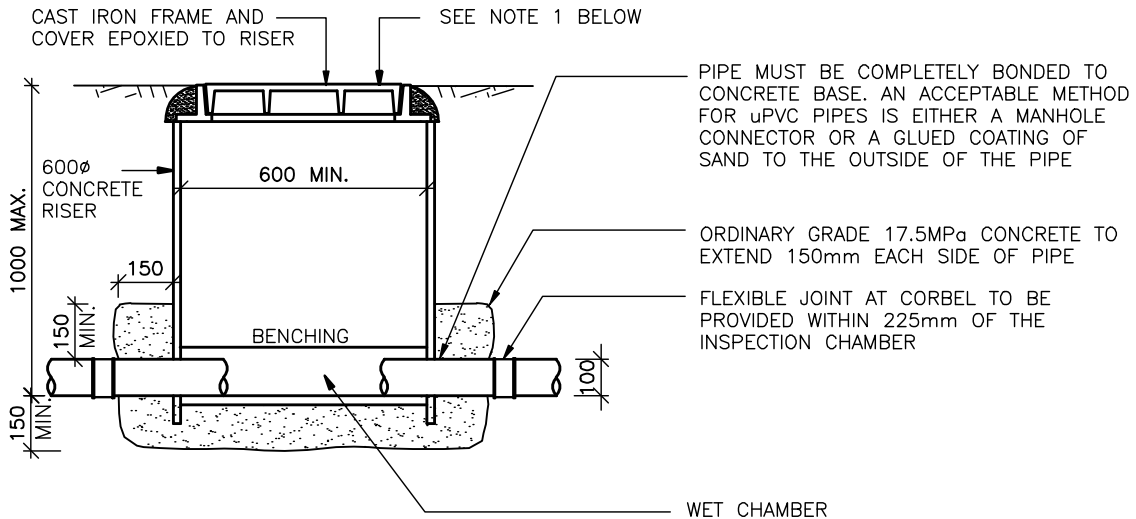


TYPICAL CHAMBER LAYOUTS
NOT TO SCALE



STORMWATER INSPECTION CHAMBER
SCALE 1 : 20

NOTES:

1. Where chamber is in Traffic area use heavy duty cover & frame.
Cover & frame to be securely concreted all round onto the chamber.

ENGINEERING
STANDARDS MANUAL

ISSUE 4.1
JANUARY 2005

**STORMWATER
INSPECTION
CHAMBER**

STANDARD DETAIL

SD 4.13