

1 FOOTBRIDGE ELEVATION
SCALE 1:100

ALL EXISTING SERVICES TO BE ACCURATELY LOCATED ON-SITE, UNDER SUPERVISION WHERE REQUIRED, PRIOR TO SITE WORKS COMMENCING

No.	Revision	Drawn	Chk.	Appd.	Date
-	CONSTRUCTION ISSUE	B.N	P.J	I.H	DEC 2017
1	FOR BUILDING CONSENT	B.N	P.J	I.H	SEPT 2017

Hutchinson
CONSULTING ENGINEERS

PO Box 150, Orewa 0946
154 Centreway Road, Orewa 0931
Ph: 09 426 5702 www.hc.co.nz

Design	P. JARVIE	JUNE 2017
Drawn	B. NEL	JUNE 2017
Checked	P. JARVIE	JUNE 2017
Approved	I. HUTCHINSON	JUNE 2017
Scale	1:100 @ A3	
Scale vert. exag.		

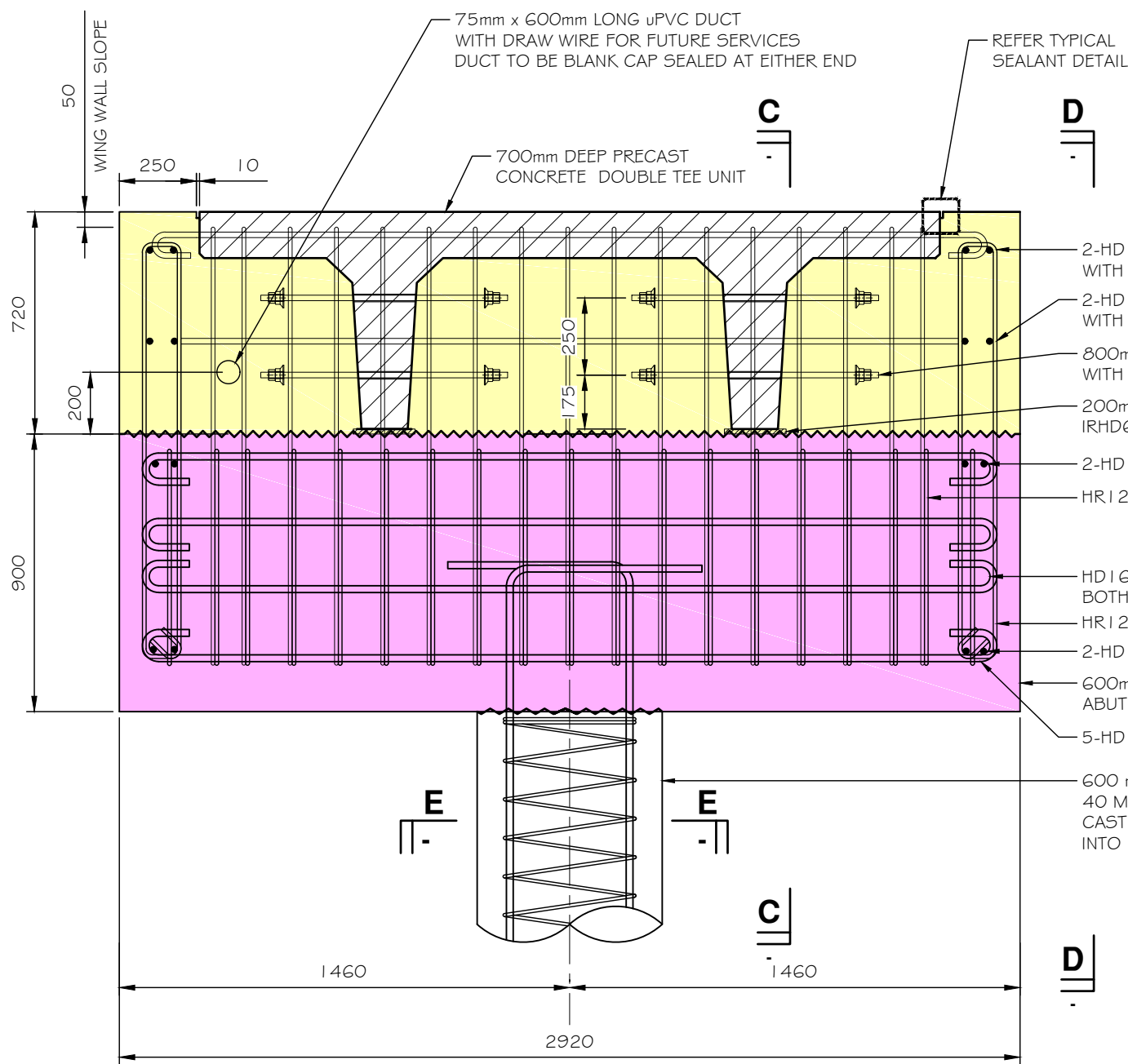


Project
**AUCKLAND TRANSPORT
PROPOSED FOOTBRIDGE
GILLS ROAD
ALBANY**

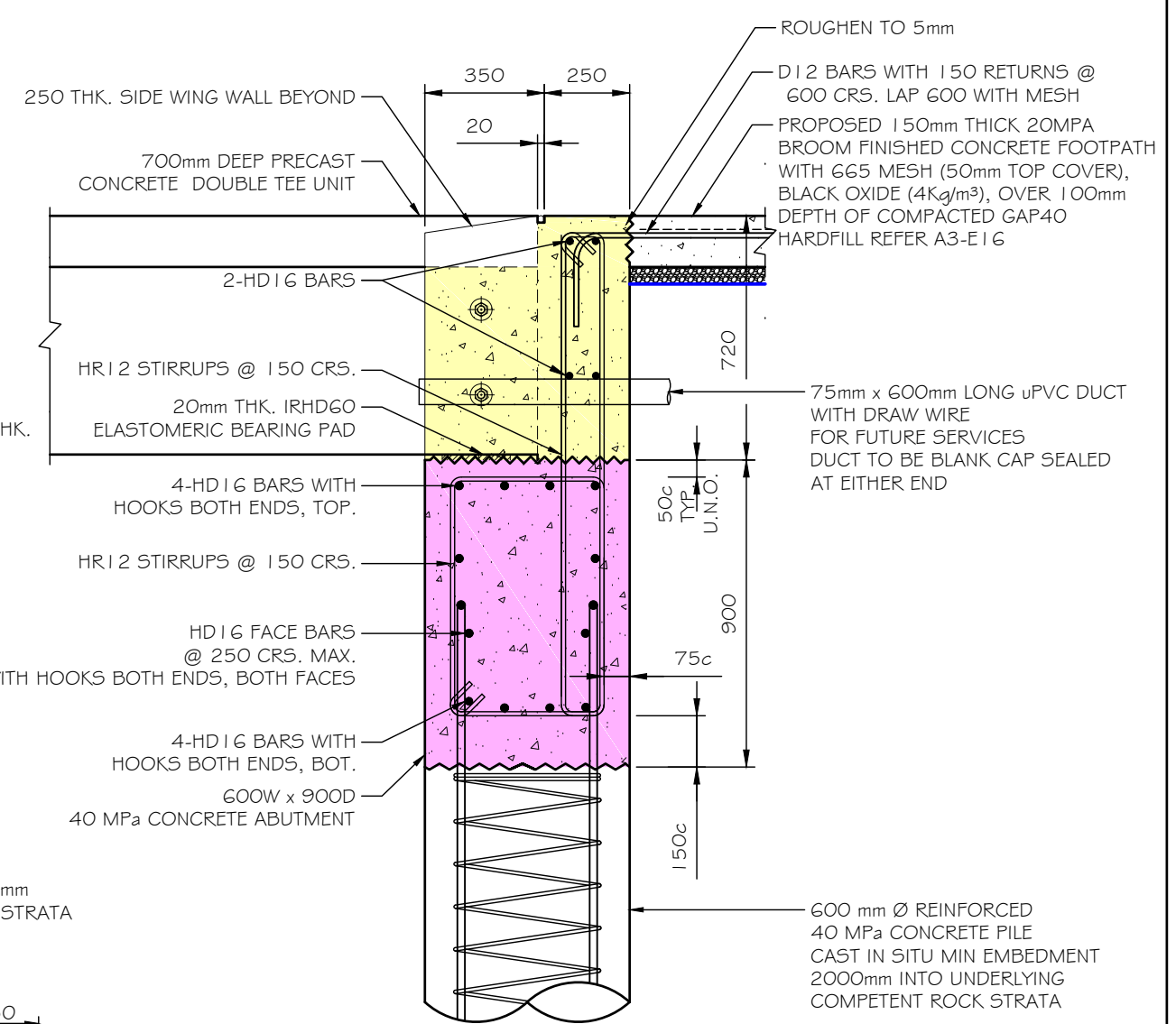
Title
PROPOSED ELEVATION

Job No.
18699

Sheet No.
E09



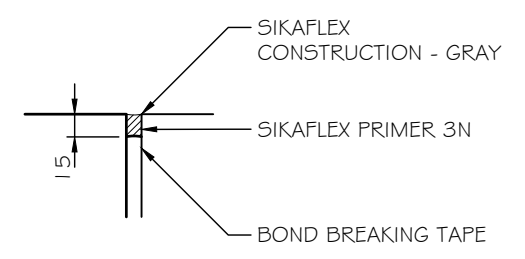
A-A ABUTMENT ELEVATION
E09 SCALE 1:20



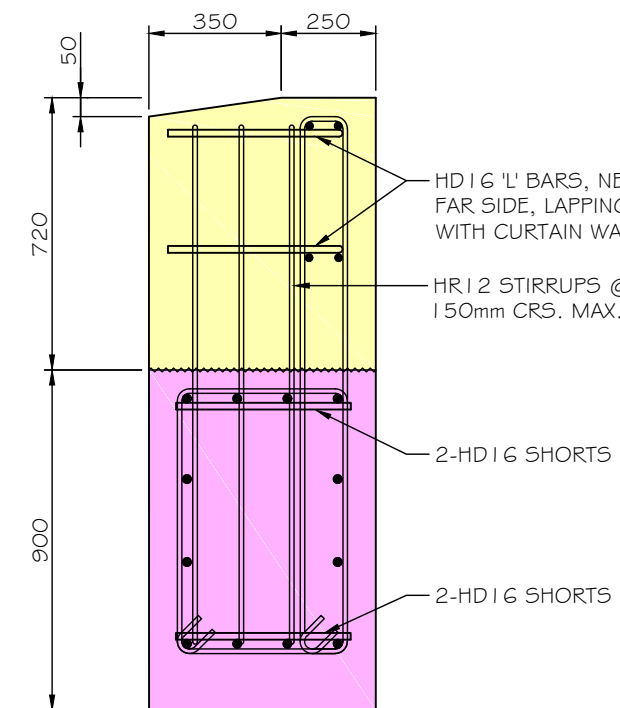
C-C ABUTMENT SECTION
SCALE 1:20

KEY

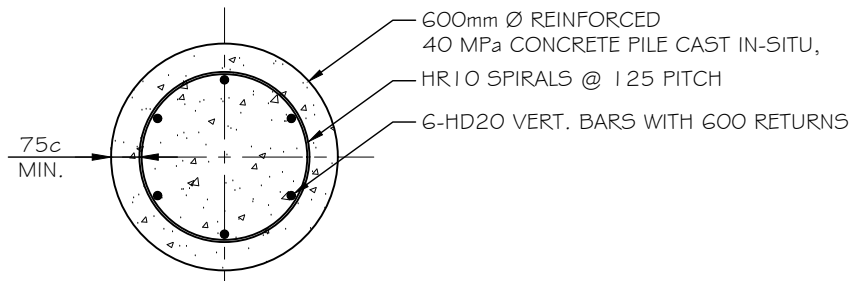
- FIRST ABUTMENT POUR
- SECOND ABUTMENT POUR



TYPICAL SEALANT DETAIL
SCALE 1:5



D-D WING WALL ELEVATION
SCALE 1:20



E-E PILE SECTION
SCALE 1:20

No.	Revision	Drawn	Chk.	Appd.	Date
-	CONSTRUCTION ISSUE	B.N	P.J	I.H	DEC 2017
-	TENDER ISSUE	B.N	P.J	I.H	SEPT 2017

Hutchinson
CONCRETE REINFORCEMENT

PO Box 150, Orewa 0946
154 Centreway Road, Orewa 0931
Ph: 09 426 5702 www.hc.co.nz

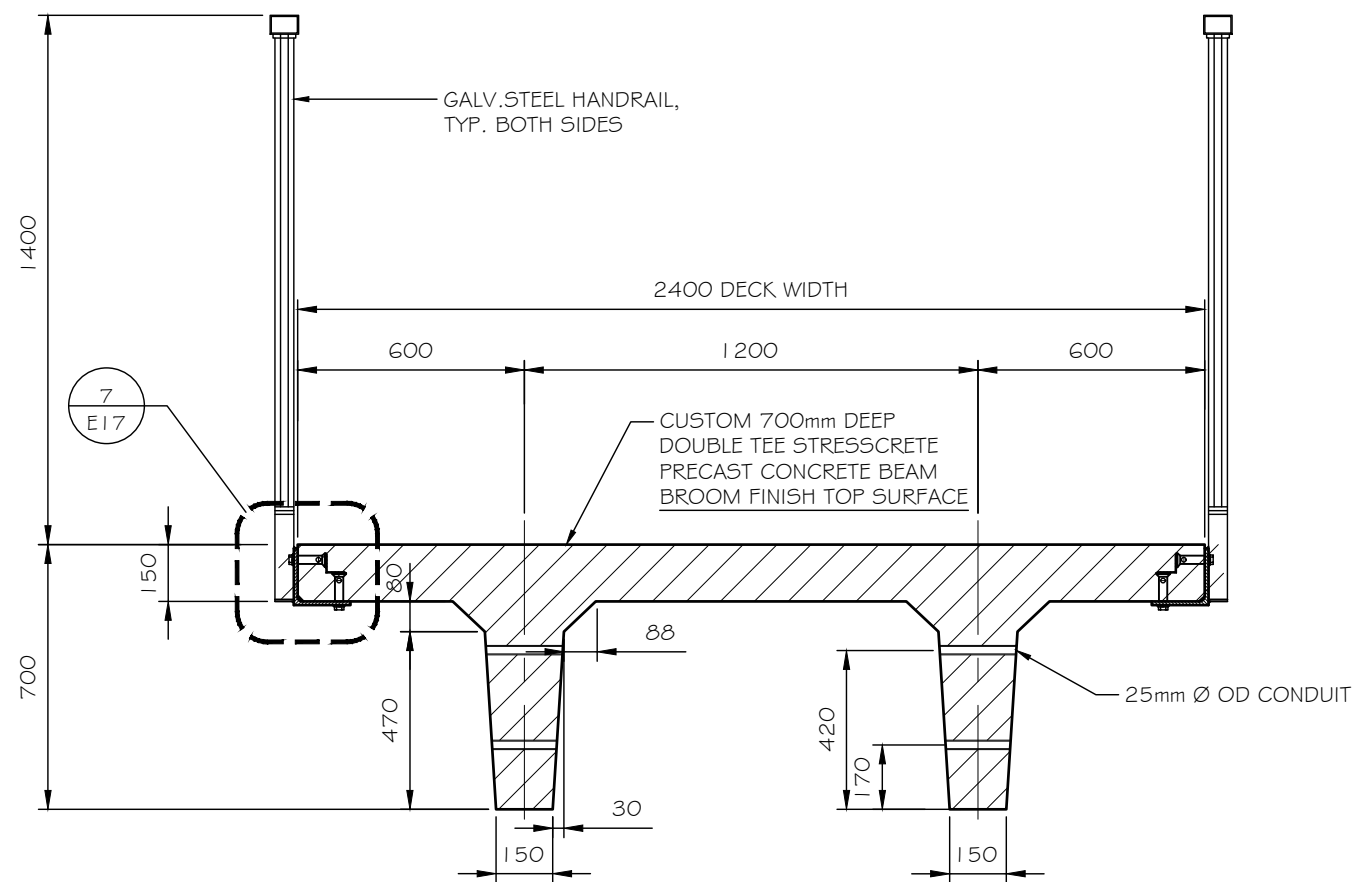
Design	P. JARVIE	JUNE 2017
Drawn	B. NEL	JUNE 2017
Checked	P. JARVIE	JUNE 2017
Approved	I. HUTCHINSON	JUNE 2017
Scale	1:20 @ A3	
Scale vert. exag.		



Project
AUCKLAND TRANSPORT
PROPOSED FOOTBRIDGE
GILLS ROAD
ALBANY

Title	ABUTMENT DETAILS
Job No.	18699

Sheet No.
E10



APPROXIMATE SECTION PROPERTIES

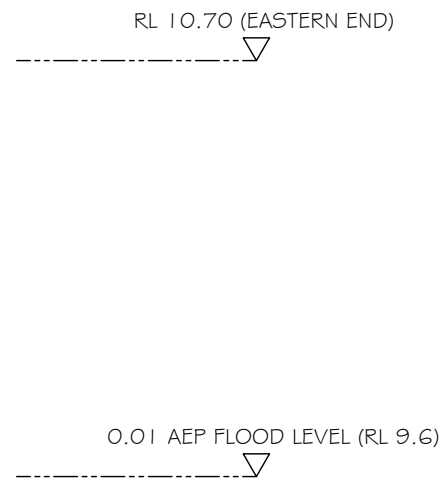
DESIGN LIVE LOAD = 4 KPa

700TT PLANK
 AREA = 0.576 m²
 WEIGHT = 14.00 KN/m (1430 kg/m)

PLANK LENGTH = 19.50 m

PLANK WEIGHT = 28000 kg

PLANK TO BE DESIGNED TO ENSURE PEDESTRIAN INDUCED VIBRATION TO KEPT TO A MINIMUM



B-B TYPICAL FOOTBRIDGE CROSS SECTION
 SCALE 1:20

No.	Revision	Drawn	Chk.	Appd.	Date
-	CONSTRUCTION ISSUE	B.N	P.J	I.H	DEC 2017
-	TENDER ISSUE	B.N	P.J	I.H	SEPT 2017

Hutchinson
 CONSULTING ENGINEERS

PO Box 150, Orewa 0946
 154 Centreway Road, Orewa 0931
 Ph: 09 426 5702 www.hc.co.nz

Design	P. JARVIE	JUNE 2017
Drawn	B. NEL	JUNE 2017
Checked	P. JARVIE	JUNE 2017
Approved	I. HUTCHINSON	JUNE 2017
Scale	1:20 @ A3	
Scale vert. exag.		

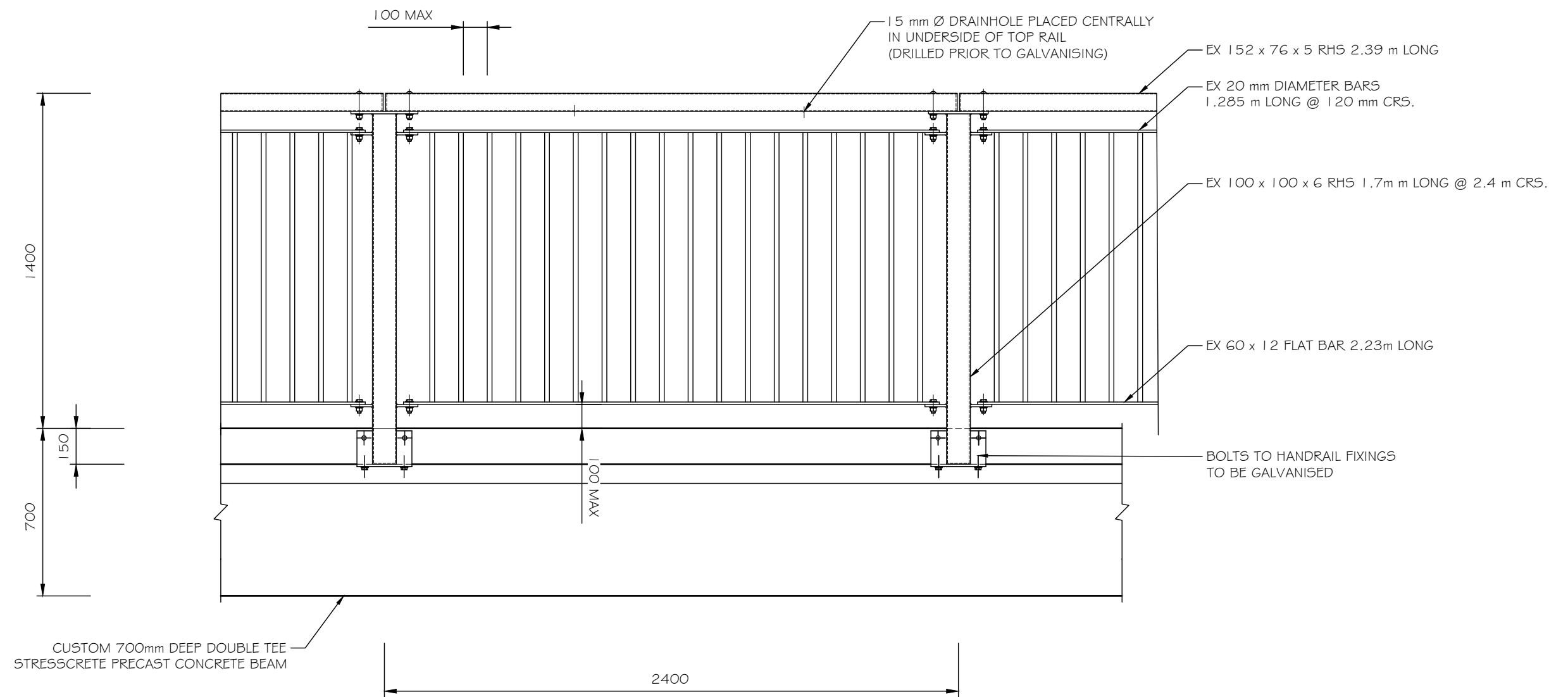


Project
**AUCKLAND TRANSPORT
 PROPOSED FOOTBRIDGE
 GILLS ROAD
 ALBANY**

Title
TYPICAL FOOTBRIDGE CROSS SECTION

Job No.
18699

Sheet No.
E11



2 TYPICAL HANDRAIL ELEVATION
E09 SCALE 1:20

NOTES:
 1) CONTRACTOR TO CONFIRM ALL HANDRAIL DIMENSIONS PRIOR TO MANUFACTURE, ANY AMBIGUITIES TO BE BROUGHT TO ATTENTION OF THE ENGINEER IMMEDIATELY.
 2) ALL STEELWORK TO BE HOT DIPPED GALVANISED.
 3) ALL HANDRAIL SYSTEM ELEMENTS TO BE PAINTED KARAKA GREEN INCLUDING BOLTS, NUTS & WASHERS THAT ARE CLEARLY VISIBLE FROM BRIDGE.

No.	Revision	Drawn	Chk.	Appd.	Date
-	CONSTRUCTION ISSUE	B.N	P.J	I.H	DEC 2017
-	TENDER ISSUE	B.N	P.J	I.H	SEPT 2017

 PO Box 150, Orewa 0946 154 Centreway Road, Orewa 0931 Ph: 09 426 5702 www.hc.co.nz	Design	P. JARVIE	JUNE 2017
	Drawn	B. NEL	JUNE 2017
	Checked	P. JARVIE	JUNE 2017
	Approved	I. HUTCHINSON	JUNE 2017
	Scale	1:20 @ A3	
	Scale vert. exag.		

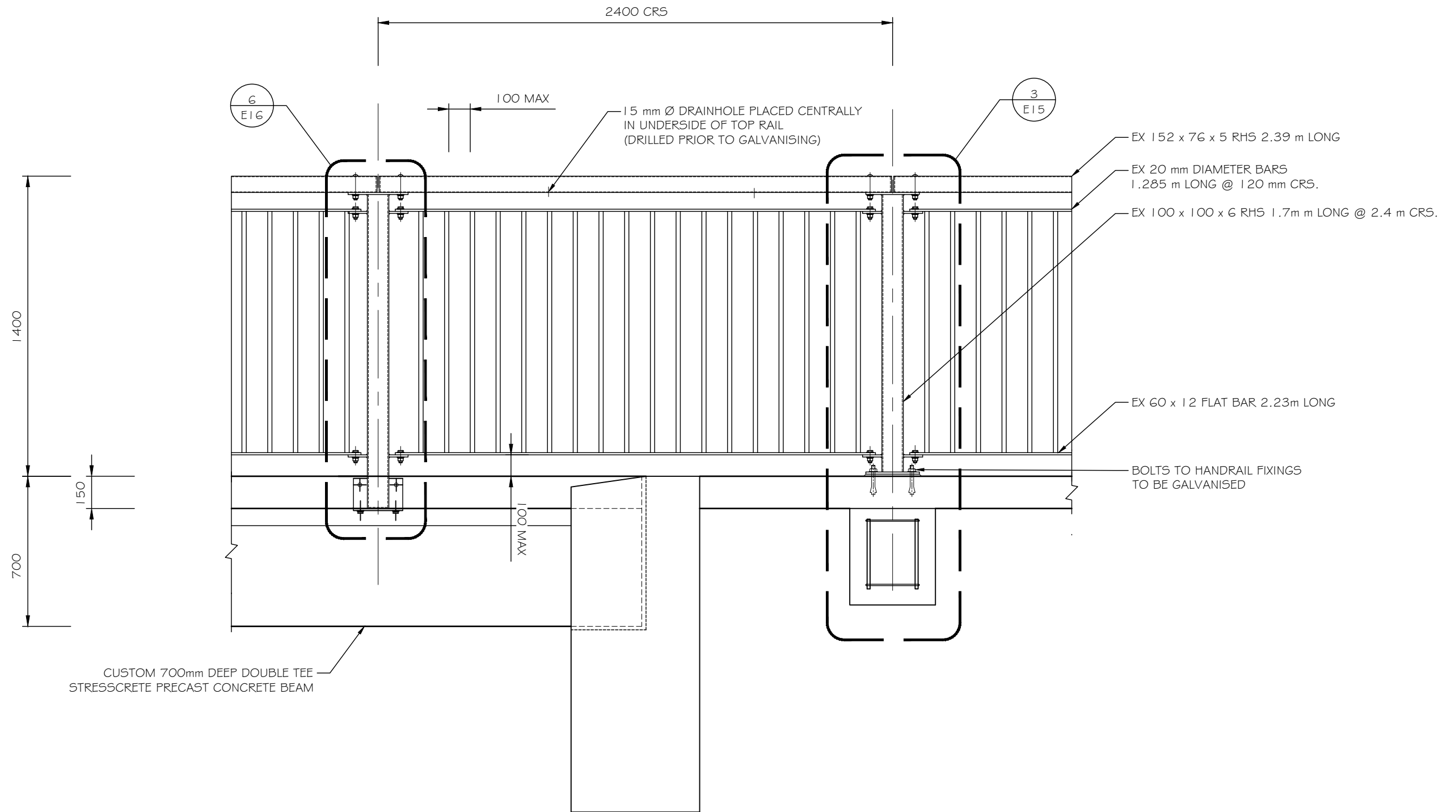


Project
**AUCKLAND TRANSPORT
 PROPOSED FOOTBRIDGE
 GILLS ROAD
 ALBANY**

Title
TYPICAL HANDRAIL ELEVATION

Job No.
18699

Sheet No.
E12



3 TYPICAL HANDRAIL AT ABUTMENT ELEVATION
E09 SCALE 1:20

NOTES:
 1) CONTRACTOR TO CONFIRM ALL HANDRAIL DIMENSIONS PRIOR TO MANUFACTURE, ANY AMBIGUITIES TO BE BROUGHT TO ATTENTION OF THE ENGINEER IMMEDIATELY.
 2) ALL STEELWORK TO BE HOT DIPPED GALVANISED.
 3) ALL HANDRAIL SYSTEM ELEMENTS TO BE PAINTED KARAKA GREEN INCLUDING BOLTS, NUTS & WASHERS THAT ARE CLEARLY VISIBLE FROM BRIDGE.

No.	Revision	Drawn	Chk.	Appd.	Date
-	CONSTRUCTION ISSUE	B.N	P.J	I.H	DEC 2017
-	TENDER ISSUE	B.N	P.J	I.H	SEPT 2017

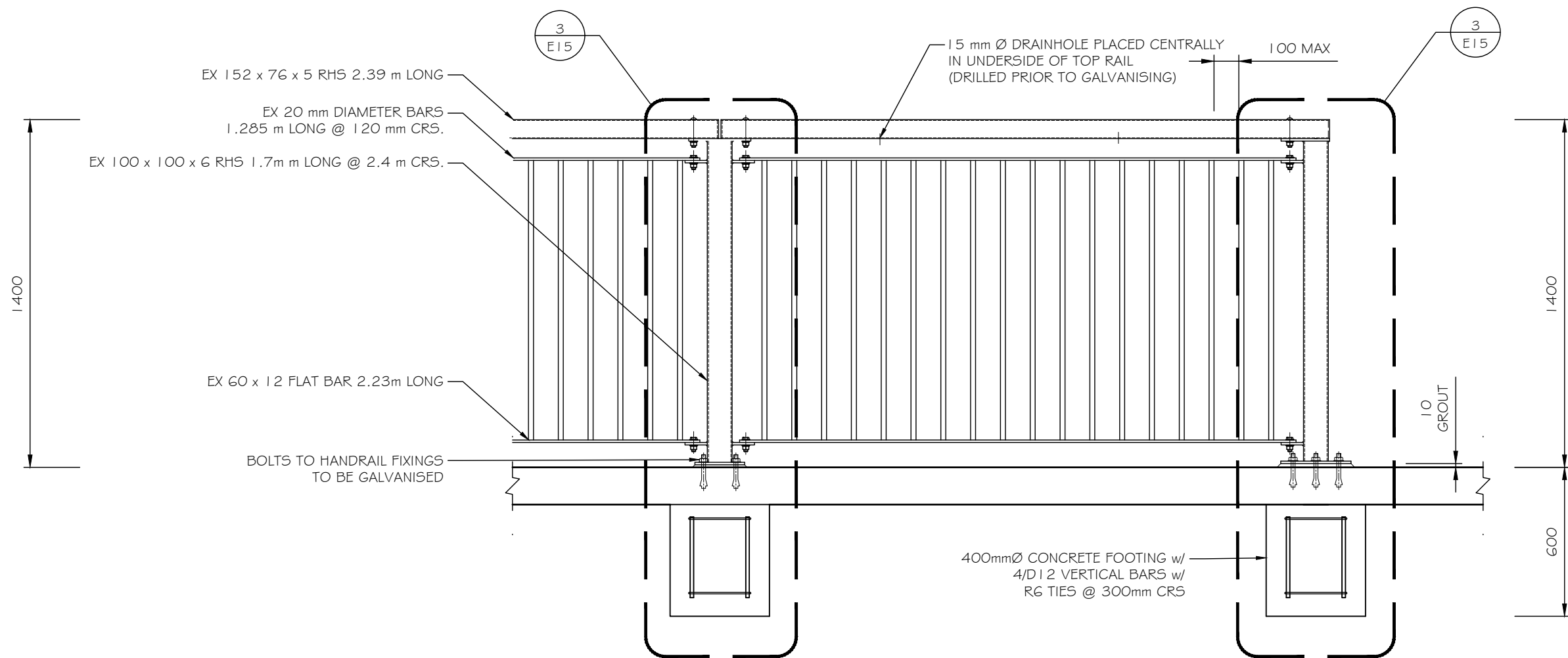
<p>PO Box 150, Orewa 0946 154 Centreway Road, Orewa 0931 Ph: 09 426 5702 www.hc.co.nz</p>	Design	P. JARVIE	JUNE 2017
	Drawn	B. NEL	JUNE 2017
	Checked	P. JARVIE	JUNE 2017
	Approved	I. HUTCHINSON	JUNE 2017
	Scale	1:20 @ A3	
Scale vert. exag.			



Project	AUCKLAND TRANSPORT PROPOSED FOOTBRIDGE GILLS ROAD ALBANY
---------	---

Title	TYPICAL HANDRAIL AT ABUTMENT ELEVATION
Job No.	18699

Sheet No.	E13
-----------	-----



4 TYPICAL TERMINATING HANDRAIL ELEVATION
 E09 SCALE 1:20

NOTES:
 1) CONTRACTOR TO CONFIRM ALL HANDRAIL DIMENSIONS PRIOR TO MANUFACTURE, ANY AMBIGUITIES TO BE BROUGHT TO ATTENTION OF THE ENGINEER IMMEDIATELY.
 2) ALL STEELWORK TO BE HOT DIPPED GALVANISED.
 3) ALL HANDRAIL SYSTEM ELEMENTS TO BE PAINTED KARAKA GREEN INCLUDING BOLTS, NUTS & WASHERS THAT ARE CLEARLY VISIBLE FROM BRIDGE.

No.	Revision	Drawn	Chk.	Appd.	Date
-	CONSTRUCTION ISSUE	B.N	P.J	I.H	DEC 2017
-	TENDER ISSUE	B.N	P.J	I.H	SEPT 2017

Design	P. JARVIE	JUNE 2017
Drawn	B. NEL	JUNE 2017
Checked	P. JARVIE	JUNE 2017
Approved	I. HUTCHINSON	JUNE 2017
Scale	1:20 @ A3	
Scale vert. exag.		



PO Box 150, Orewa 0946
 154 Centreway Road, Orewa 0931
 Ph: 09 426 5702 www.hc.co.nz

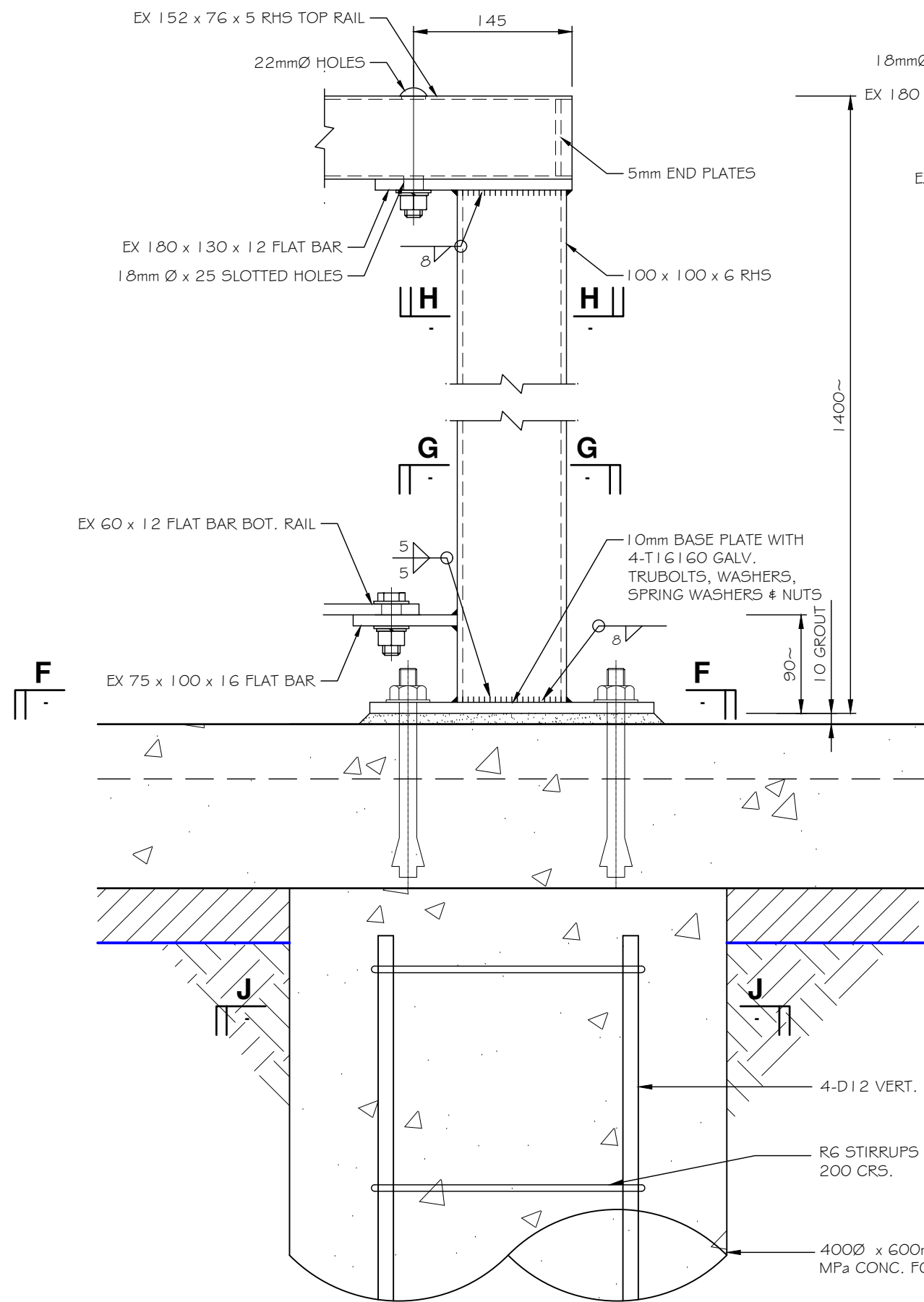


Project
**AUCKLAND TRANSPORT
 PROPOSED FOOTBRIDGE
 GILLS ROAD
 ALBANY**

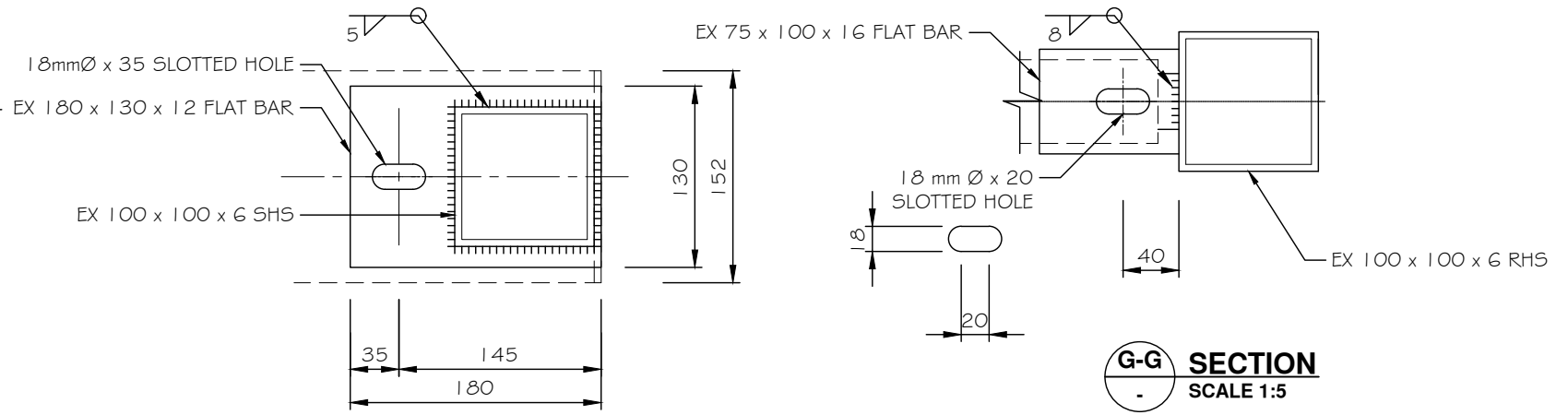
Title
**TYPICAL HANDRAIL TERMINATING
 ELEVATION**

Job No.
18699

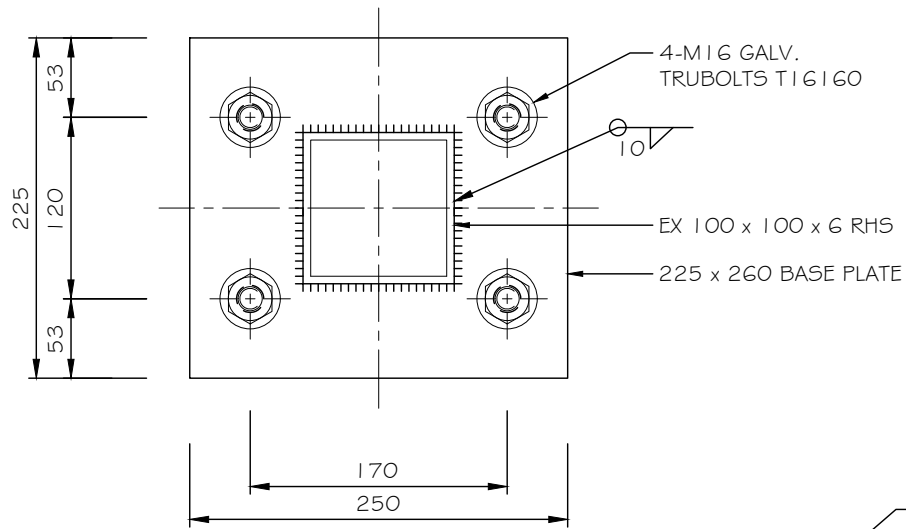
Sheet No.
E14



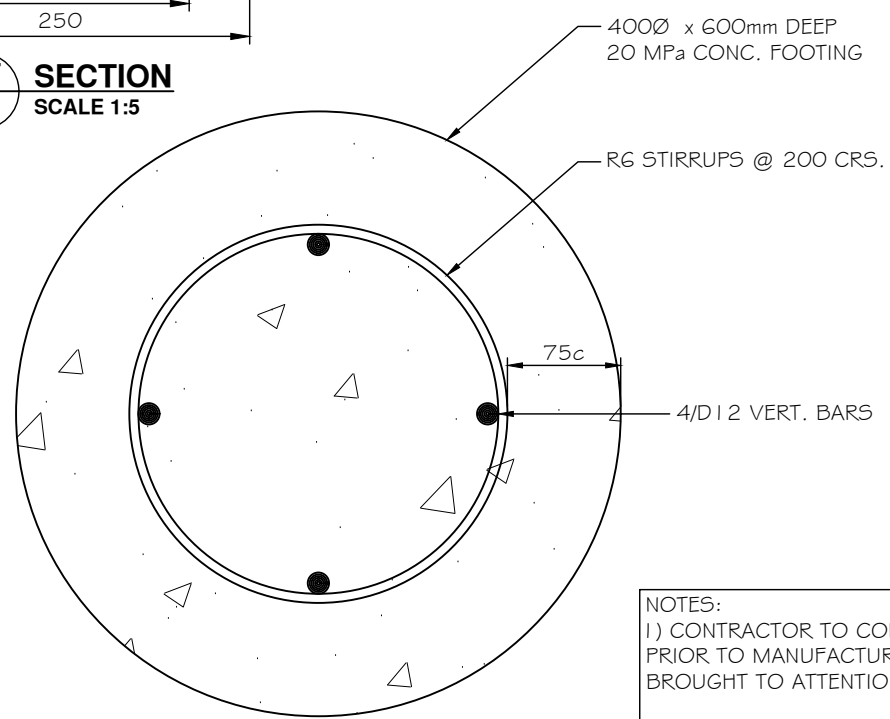
3 HANDRAIL POST DETAIL
E13 SCALE 1:5



H-H SECTION
SCALE 1:5



F-F SECTION
SCALE 1:5



J-J SECTION
SCALE 1:5

NOTES:
1) CONTRACTOR TO CONFIRM ALL HANDRAIL DIMENSIONS PRIOR TO MANUFACTURE, ANY AMBIGUITIES TO BE BROUGHT TO ATTENTION OF THE ENGINEER IMMEDIATELY.
2) ALL STEELWORK TO BE HOT DIPPED GALVANISED.
3) ALL HANDRAIL SYSTEM ELEMENTS TO BE PAINTED KARAKA GREEN INCLUDING BOLTS, NUTS & WASHERS THAT ARE CLEARLY VISIBLE FROM BRIDGE.

No.	Revision	Drawn	Chk.	Appd.	Date
-	CONSTRUCTION ISSUE	B.N	P.J	I.H	DEC 2017
-	TENDER ISSUE	B.N	P.J	I.H	SEPT 2017

Hutchinson
Engineering & Construction

PO Box 150, Orewa 0946
154 Centreway Road, Orewa 0931
Ph: 09 426 5702 www.hc.co.nz

Design	P. JARVIE	JUNE 2017
Drawn	B. NEL	JUNE 2017
Checked	P. JARVIE	JUNE 2017
Approved	I. HUTCHINSON	JUNE 2017
Scale	1:5 @ A3	
Scale vert. exag.		

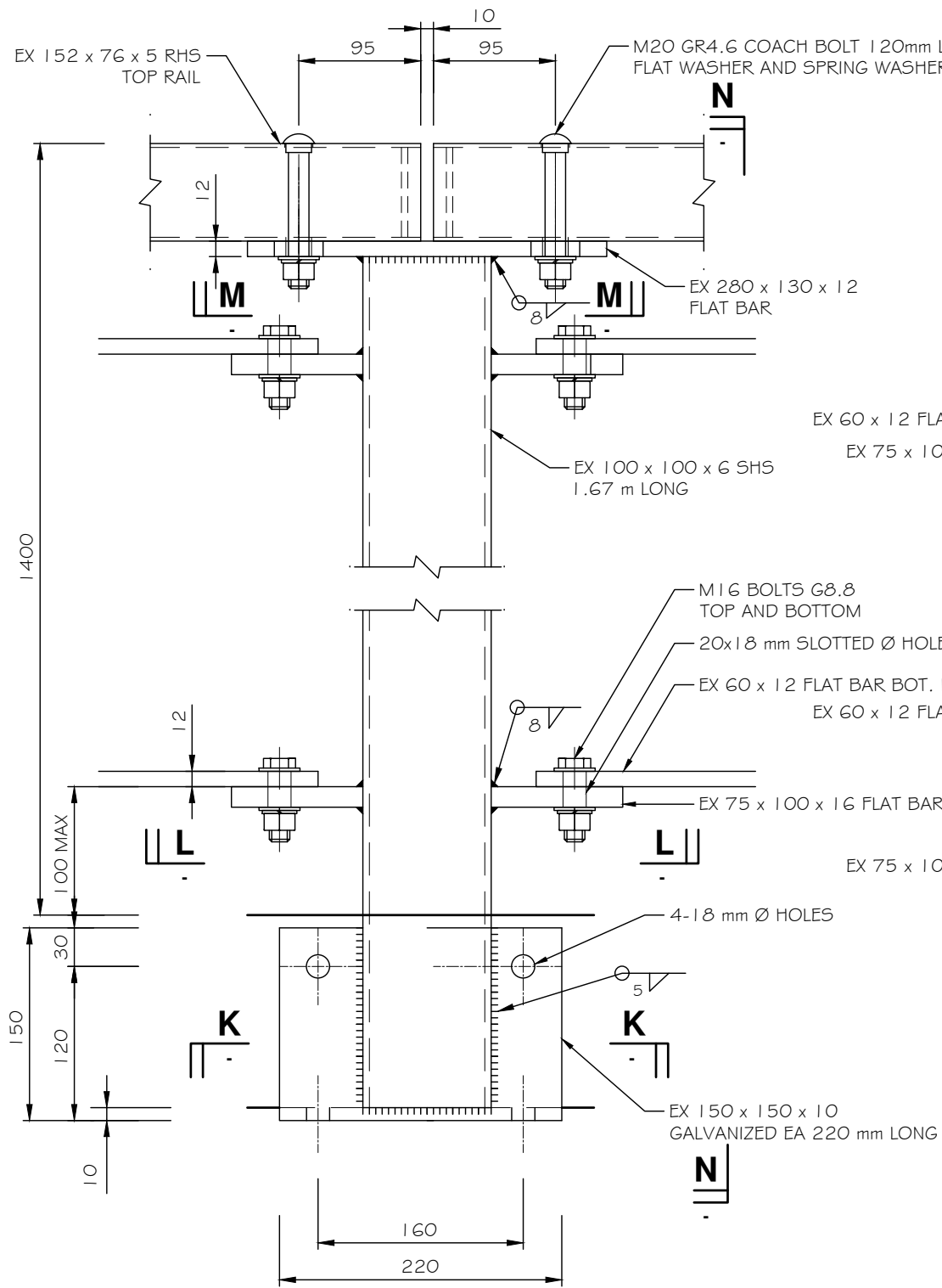


Project
**AUCKLAND TRANSPORT
PROPOSED FOOTBRIDGE
GILLS ROAD
ALBANY**

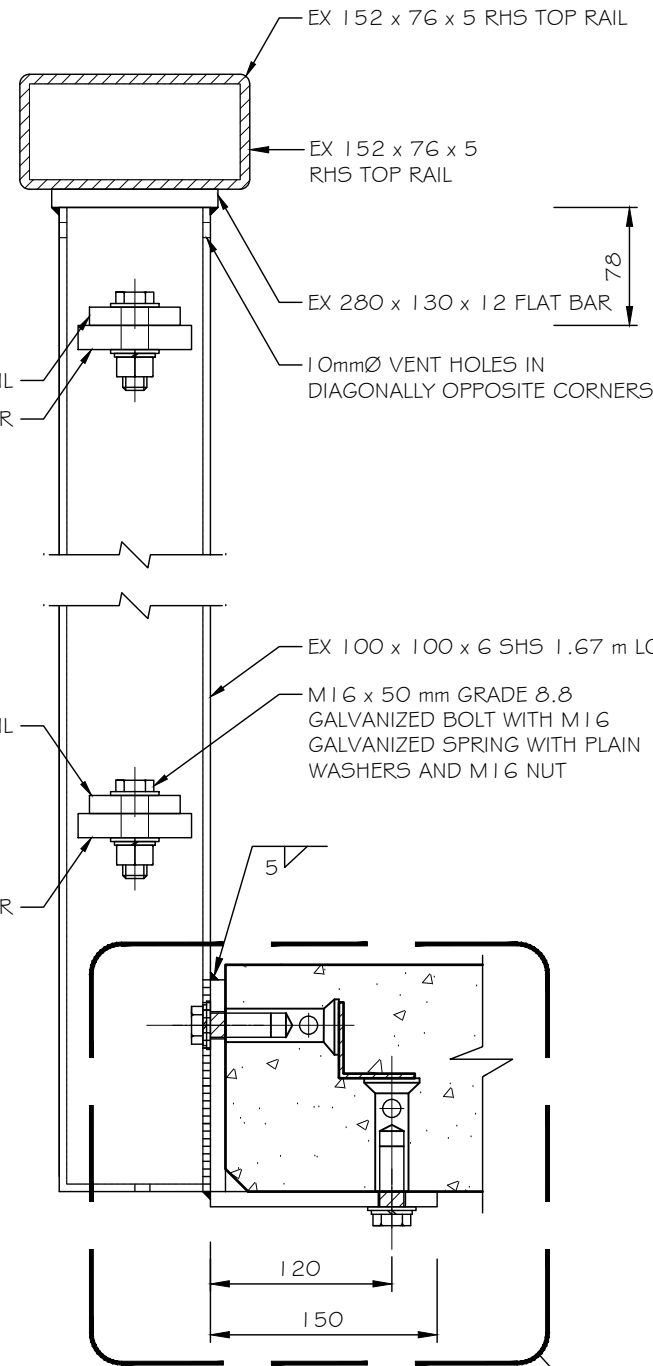
Title
HANDRAIL DETAILS SHEET 1 OF 3

Job No.
18699

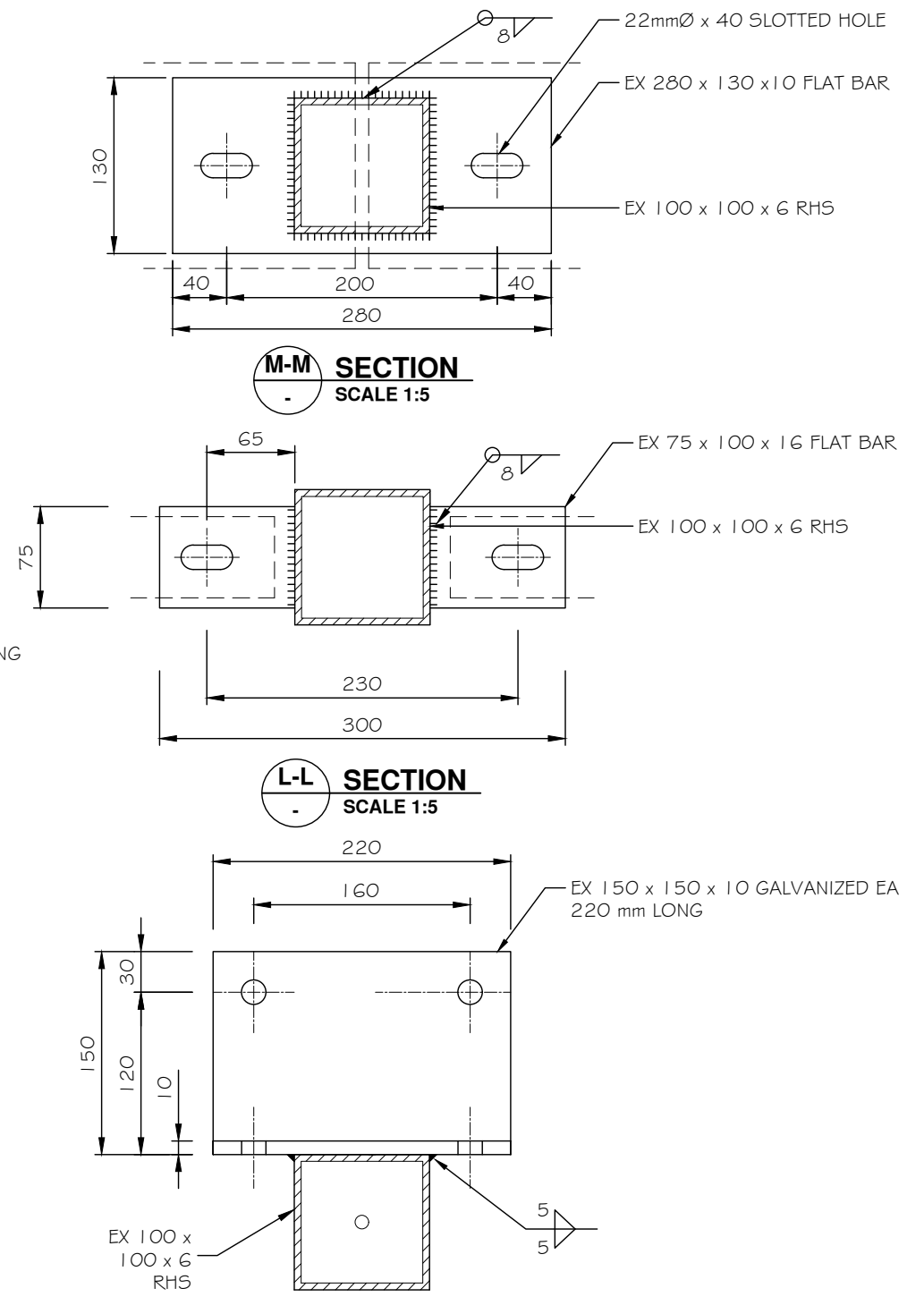
Sheet No.
E15



6 TYPICAL HANDRAIL POST DETAIL
E13 SCALE 1:5



N-N HANDRAIL POST SIDE VIEW
SCALE 1:5



K-K SECTION
SCALE 1:5

NOTES:

- 1) CONTRACTOR TO CONFIRM ALL HANDRAIL DIMENSIONS PRIOR TO MANUFACTURE, ANY AMBIGUITIES TO BE BROUGHT TO ATTENTION OF THE ENGINEER IMMEDIATELY.
- 2) ALL STEELWORK TO BE HOT DIPPED GALVANIZED.
- 3) ALL HANDRAIL SYSTEM ELEMENTS TO BE PAINTED KARAKA GREEN INCLUDING BOLTS, NUTS & WASHERS THAT ARE CLEARLY VISIBLE FROM BRIDGE.

No.	Revision	Drawn	Chk.	Appd.	Date
-	CONSTRUCTION ISSUE	B.N	P.J	I.H	DEC 2017
-	TENDER ISSUE	B.N	P.J	I.H	SEPT 2017

Design	P. JARVIE	JUNE 2017
Drawn	B. NEL	JUNE 2017
Checked	P. JARVIE	JUNE 2017
Approved	I. HUTCHINSON	JUNE 2017
Scale	1:5 @ A3	
Scale vert. exag.		

Hutchinson
Engineering & Construction

PO Box 150, Orewa 0946
154 Centreway Road, Orewa 0931
Ph: 09 426 5702 www.hc.co.nz

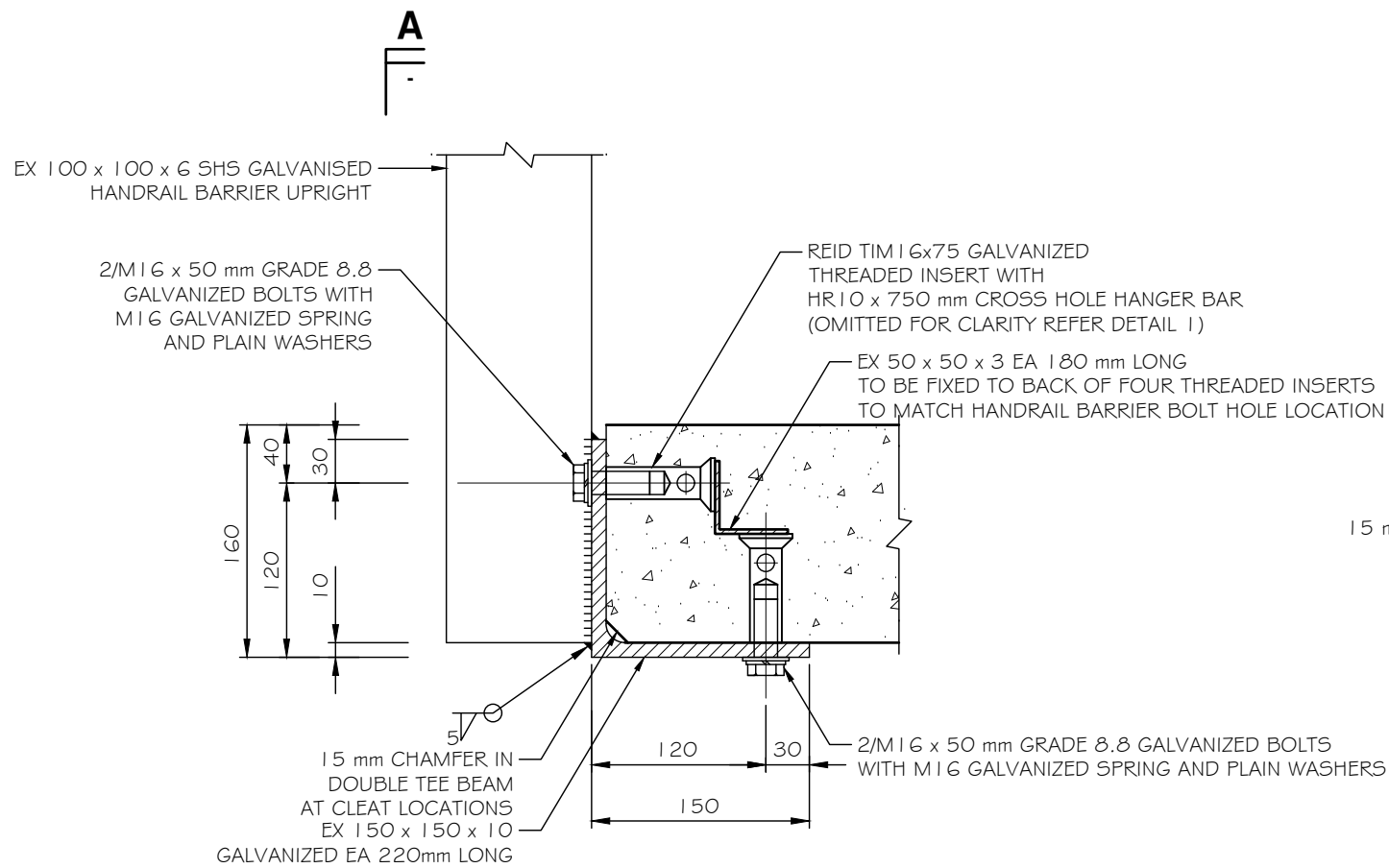
Auckland Transport
An Auckland Council Organisation

Project
**AUCKLAND TRANSPORT
PROPOSED FOOTBRIDGE
GILLS ROAD
ALBANY**

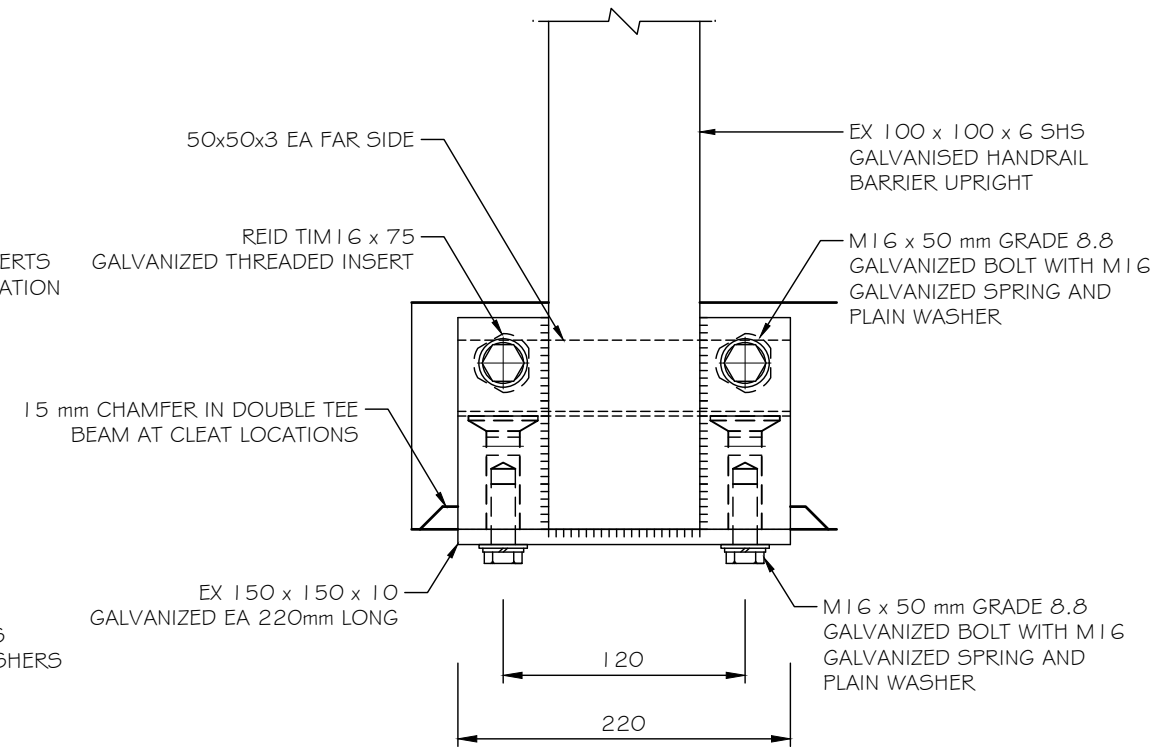
Title
HANDRAIL DETAILS SHEET 2 OF 3

Job No.
18699

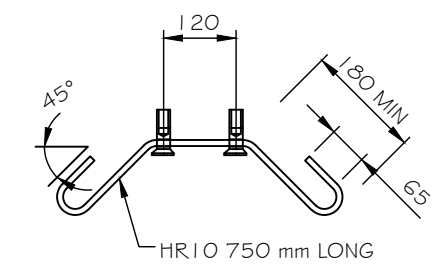
Sheet No.
E16



7 POST BASE DETAIL
SCALE 1:5



A-A POST BASE DETAIL
SCALE 1:5



1 HANGER BAR DETAIL
SCALE 1:5

NOTES:
 1) CONTRACTOR TO CONFIRM ALL HANDRAIL DIMENSIONS PRIOR TO MANUFACTURE, ANY AMBIGUITIES TO BE BROUGHT TO ATTENTION OF THE ENGINEER IMMEDIATELY.
 2) ALL STEELWORK TO BE HOT DIPPED GALVANISED.
 3) ALL HANDRAIL SYSTEM ELEMENTS TO BE PAINTED KARAKA GREEN INCLUDING BOLTS, NUTS & WASHERS THAT ARE CLEARLY VISIBLE FROM BRIDGE.

No.	Revision	Drawn	Chk.	Appd.	Date
-	CONSTRUCTION ISSUE	B.N	P.J	I.H	DEC 2017
-	TENDER ISSUE	B.N	P.J	I.H	SEPT 2017

Hutchinson
 PO Box 150, Orewa 0946
 154 Centreway Road, Orewa 0931
 Ph: 09 426 5702 www.hc.co.nz

Design	P. JARVIE	JUNE 2017
Drawn	B. NEL	JUNE 2017
Checked	P. JARVIE	JUNE 2017
Approved	I. HUTCHINSON	JUNE 2017
Scale	1:5 @ A3	
Scale vert. exag.		

Auckland Transport
 An Auckland Council Organisation

Project
**AUCKLAND TRANSPORT
 PROPOSED FOOTBRIDGE
 GILLS ROAD
 ALBANY**

Title
HANDRAIL DETAILS SHEET 3 OF 3

Job No.
18699

Sheet No.
E17