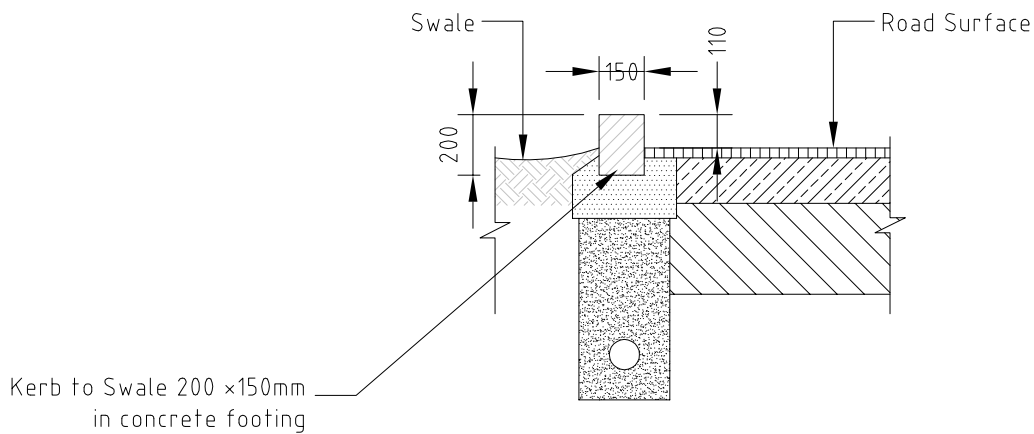


ELEVATION



SECTION A - A

NOTES:

1. Refer to Auckland City Council Standard Engineering Details for subsoil drain and construction notes.
2. This detail only applies to kerbs adjacent to the central swale on road type B.
3. All corners to be chamfered to provide smooth finish.
4. This detail only applies to Mt. Wellington Quarry Code of Subdivision.

PREPARED BY:



AUCKLAND CITY
Transport

MT WELLINGTON QUARRY
KERB ALONG SWALE

SCALE : NTS

DRAWN : JWF

ISSUE DATE : 11/2008

APPROVED :

PLAN No. ISSUE A

2008/1310