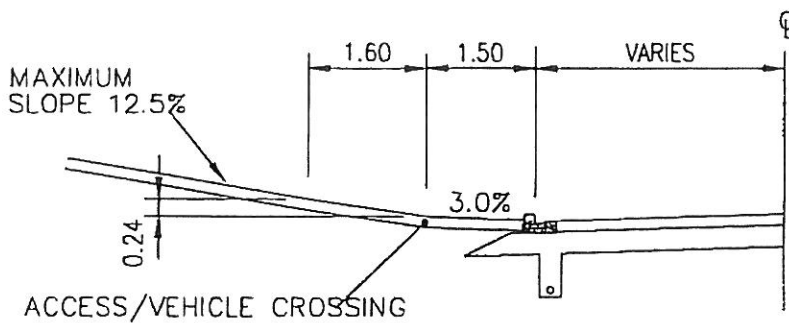


TYPICAL ACCESS/VEHICLE CROSSING DETAIL

DESCENDING

SCALE 1:100



TYPICAL ACCESS/VEHICLE CROSSING DETAIL

ASCENDING

SCALE 1:100

PREPARED BY:



AUCKLAND CITY

AUCKLAND CITY  
Traffic and Rooding Services

TYPICAL VEHICLE CROSSING  
SLOPE DETAILS

SCALE : 1:100

DRAWN : LJC

ISSUE DATE : 12.2003

APPROVED :

PLAN No. ISSUE B

12908/408/1